

Project

HYDROGEN READY POWER PLANT


Customer

GREENFIELD SOUTH POWER INC.

Applique

GAS TURB. S/N: 299735 / IPS1615904

GEN S/N: GG10870 / 761x090

IP Classification		Export Classification	
GE Project Document Number		GE Project Doc Revision	
GE Project Document Description			
GE Project Document Type		Distribution List	
	Remarks 1		
	GE Document Number	GE Document Revision	Disposal Code
	GE Document Title		

Copyright ©2023 GE Vernova and/or its affiliates
 All rights reserved. The information herein is proprietary information of GE Vernova and/or its affiliates. Thus, it is being provided with the explicit expectation of restricted use. All persons or legal entities receiving this information shall be deemed by the act of its receipt to have contractually agreed to make no duplications, reproductions of any nature by any means, modifications, disclosures, or use any portion of this material; except as is expressly authorized in writing by GE Vernova and/or its affiliates.

NOTES:
 1. FOLLOW INSTALLTION PROCEDURE OUTLINED IN 317T1509.

Revision History			
Rev	Description	Date (YYYY-MM-DD)	Approved
-			

EXHAUST DIFFUSER, MLI 0706, IN PLACE

AFT DIFFUSER DUCT SUPPORT COLUMNS

PROTECTIVE MASKING

PROTECTIVE MASKING

WOODEN SUPPORT BLOCKING

FORWARD DIFFUSER DUCT SUPPORT COLUMNS

BOTTOM FORWARD HALF DUCT SECTION

PLASTIC FILM

CRIBBING

PLASTIC FILM

CRIBBING

PLASTIC FILM

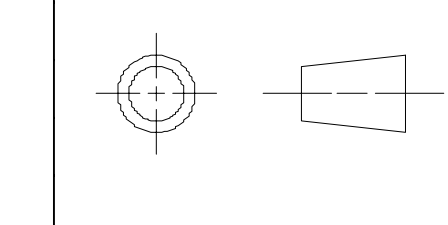
CRIBBING

PROTECTIVE MASKING

NOT DEFINED

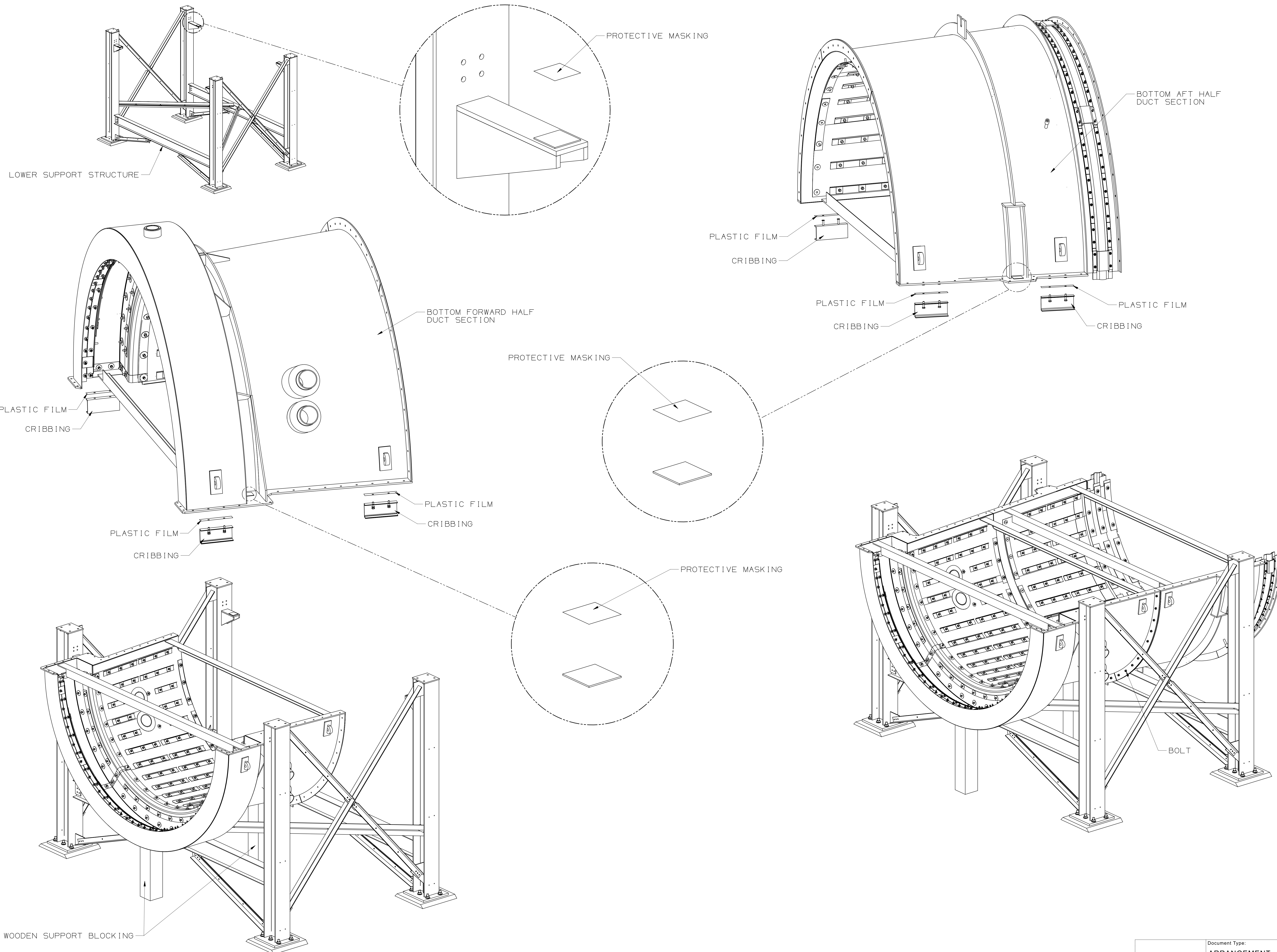
Copyright © GE Vernova and/or its affiliates 2024
 All rights reserved. The information herein is proprietary information of GE Vernova and/or its affiliates. Thus, it is being provided with the explicit expectation of restricted use. All persons or legal entities receiving this information shall be deemed by the act of its receipt to have contractually agreed to make no duplications, reproductions of any nature by any means, modifications, disclosures, or use any portion of this material, except as is expressly authorized in writing by GE Vernova and/or its affiliates.

THIRD ANGLE PROJECTION



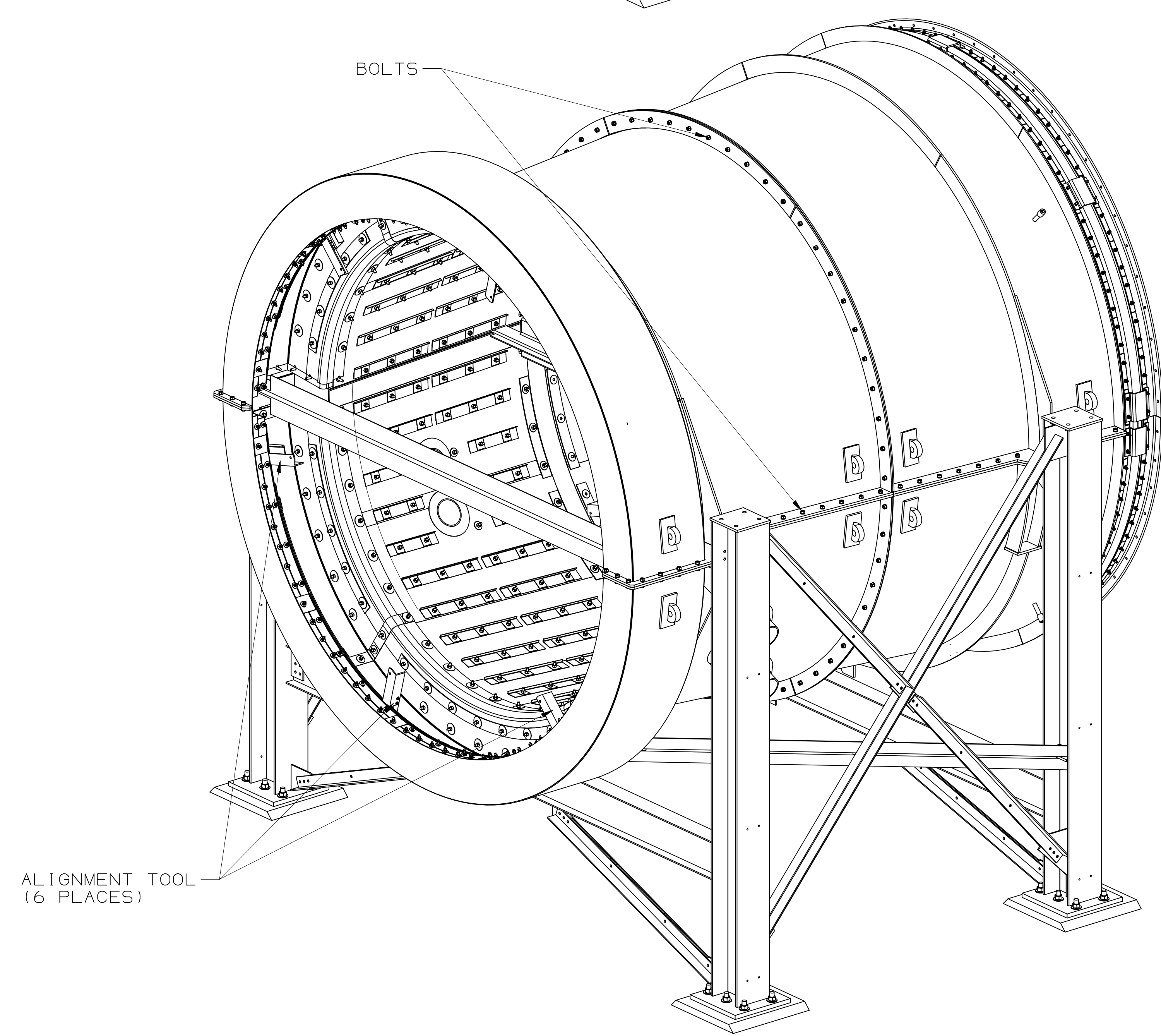
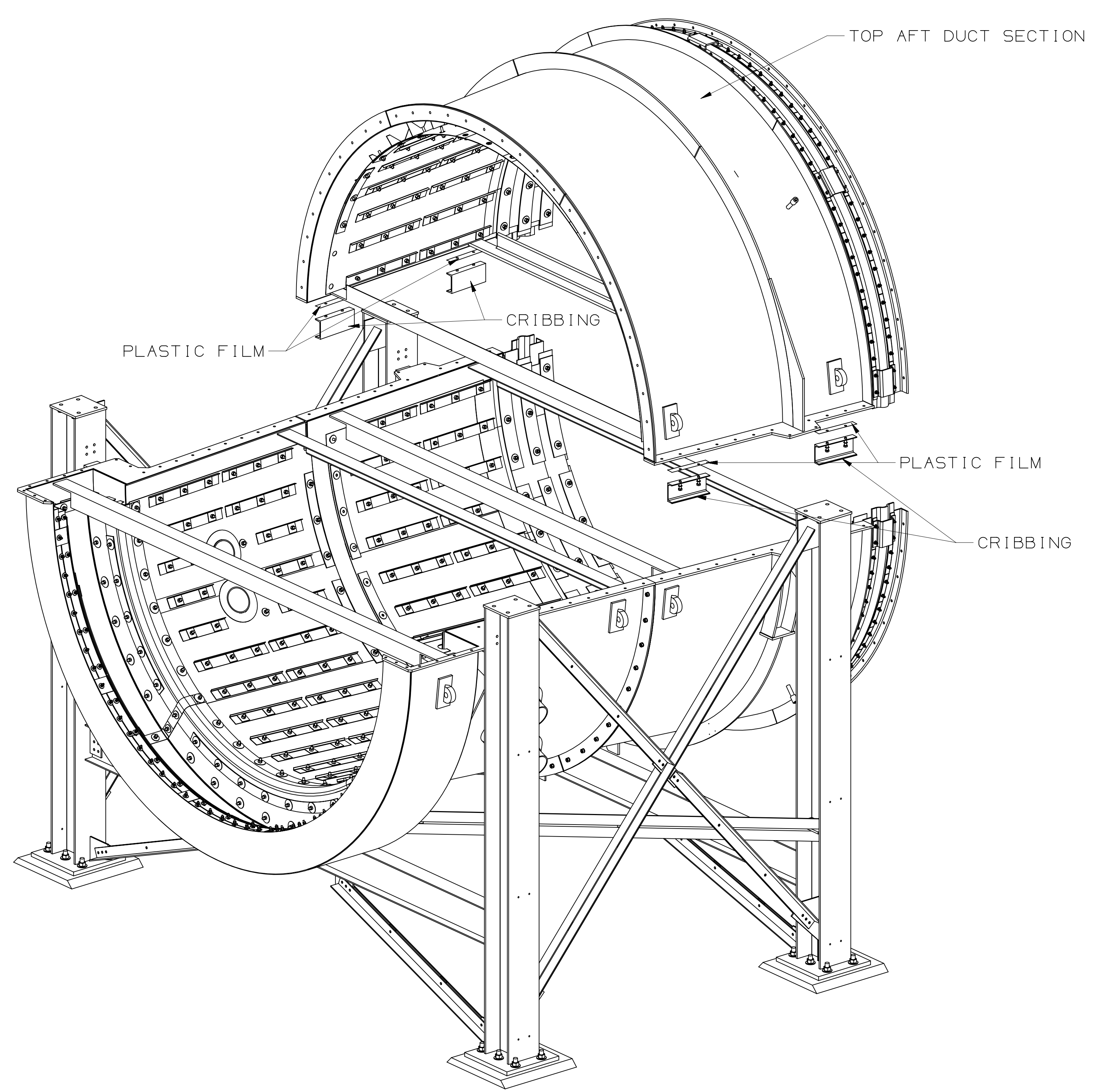
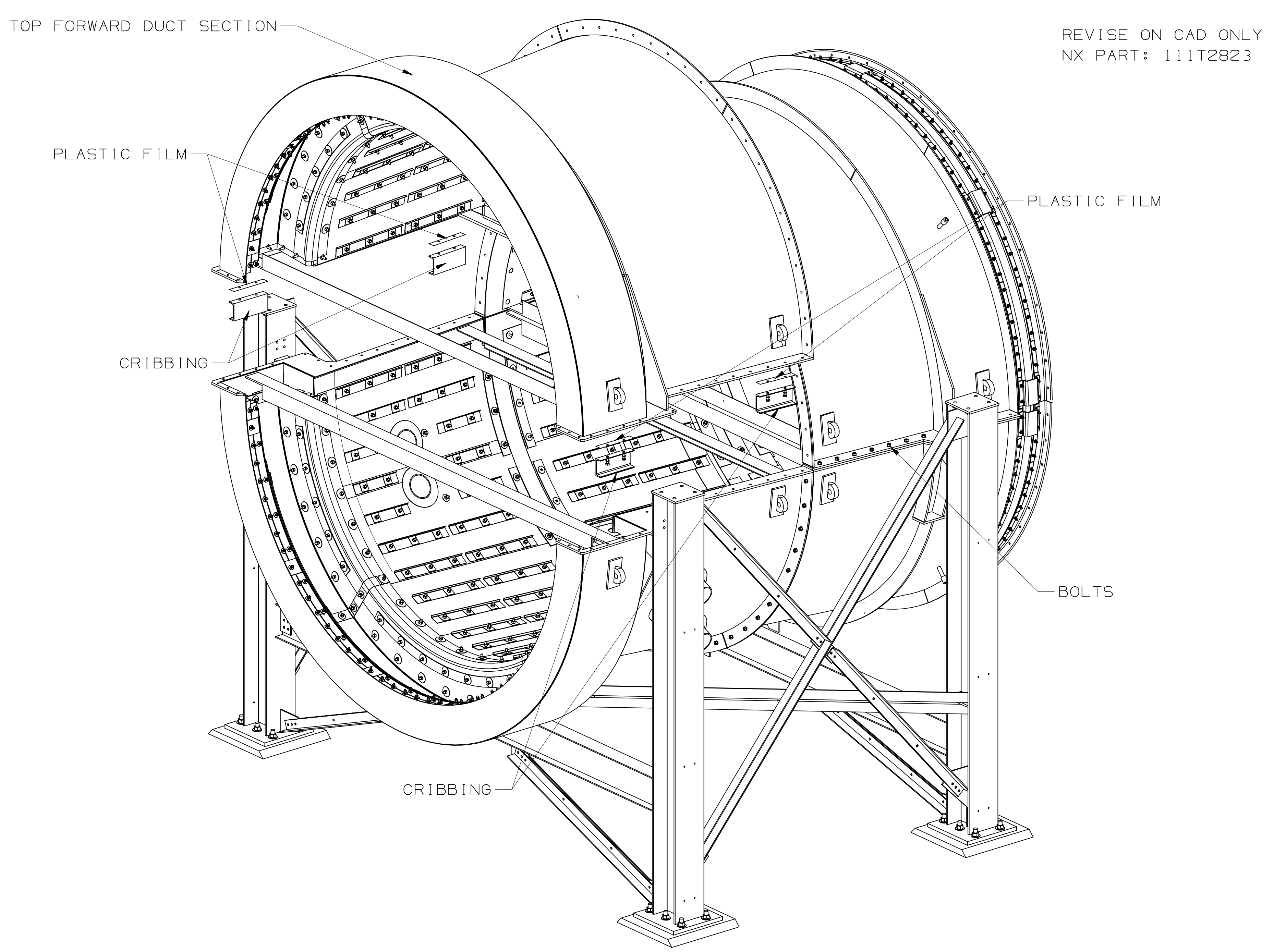
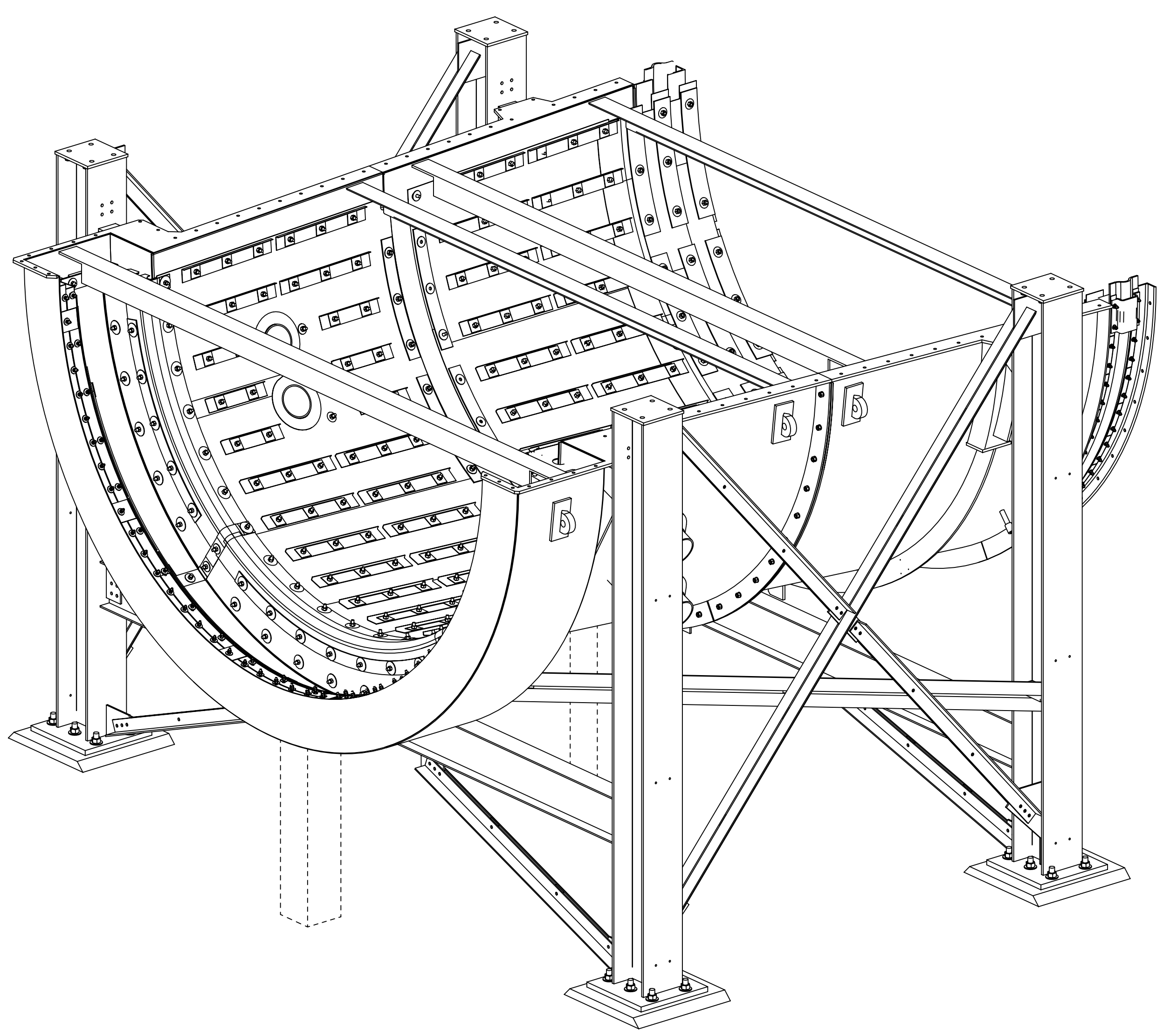
Similar To: 100T1255	Created By: JM ESCOBEDO	MLI A042
First Made For:	Approved By: J MOHAMMED	IEC61355 NO.
	Document Type:	Sheet Size E
	ARRANGEMENT	
	Document Title: 7FA EXHAUST DIFFUSER DUCT EREC PROCE	
Creation Date (YYYY-MM-DD): 2024-11-25	Drawing Number: 317T1518	Revision - Sheet 1 OF 7

EXHAUST DIFFUSER, MLI 0706, NOT IN PLACE



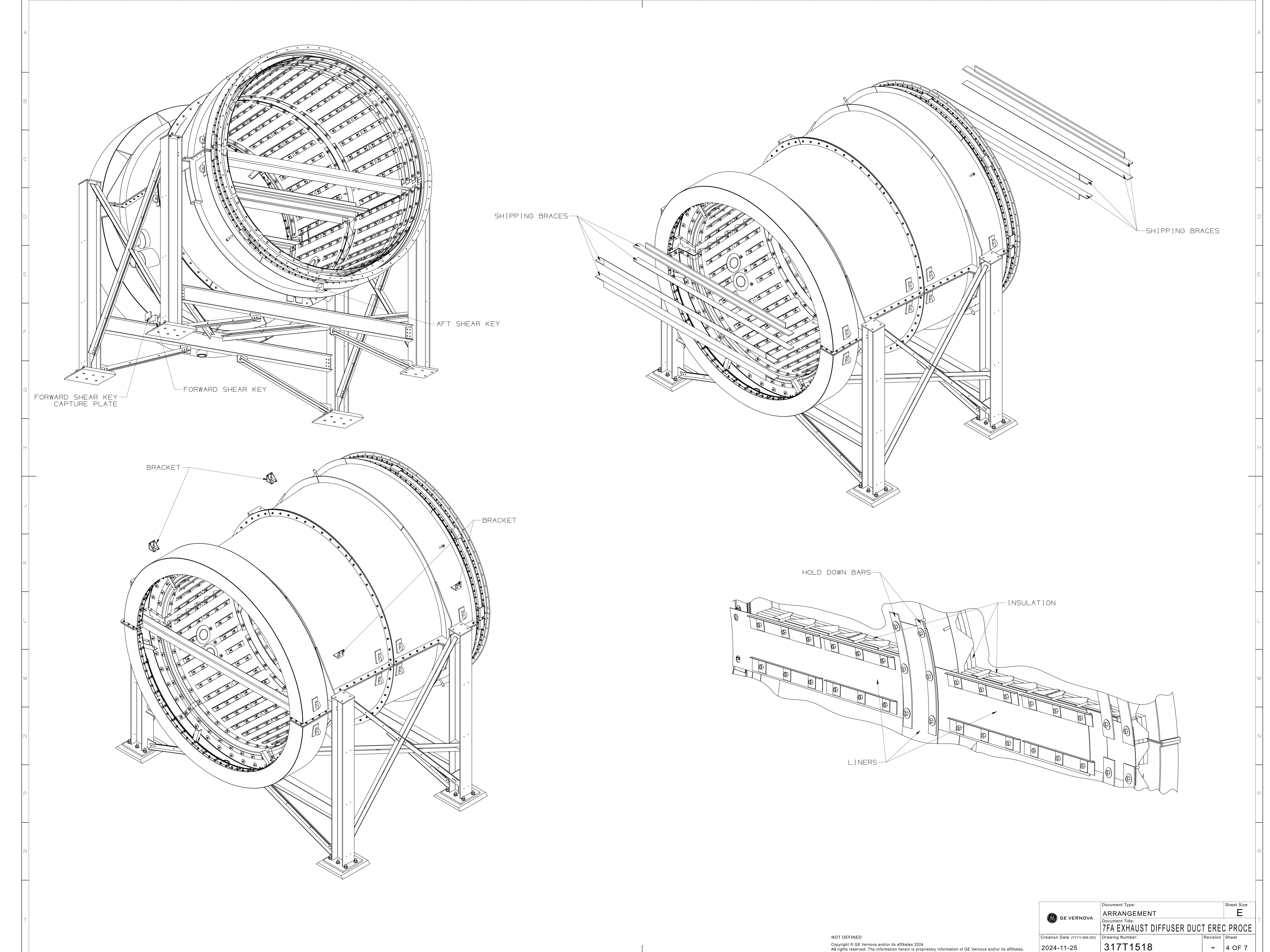
NOT DEFINED
 Copyright © GE Vernova and/or its affiliates 2024
 All rights reserved. The information herein is proprietary information of GE Vernova and/or its affiliates.

	Document Type:	ARRANGEMENT	Sheet Size:	E	
	Document Title:	7FA EXHAUST DIFFUSER DUCT EREC PROCE			
Creation Date (YYYY-MM-DD):	2024-11-25	Drawing Number:	317T1518	Revision Sheet:	- 2 OF 7



NOT DEFINED
Copyright © GE Vernova and/or its affiliates 2024
All rights reserved. The information herein is proprietary information of GE Vernova and/or its affiliates.

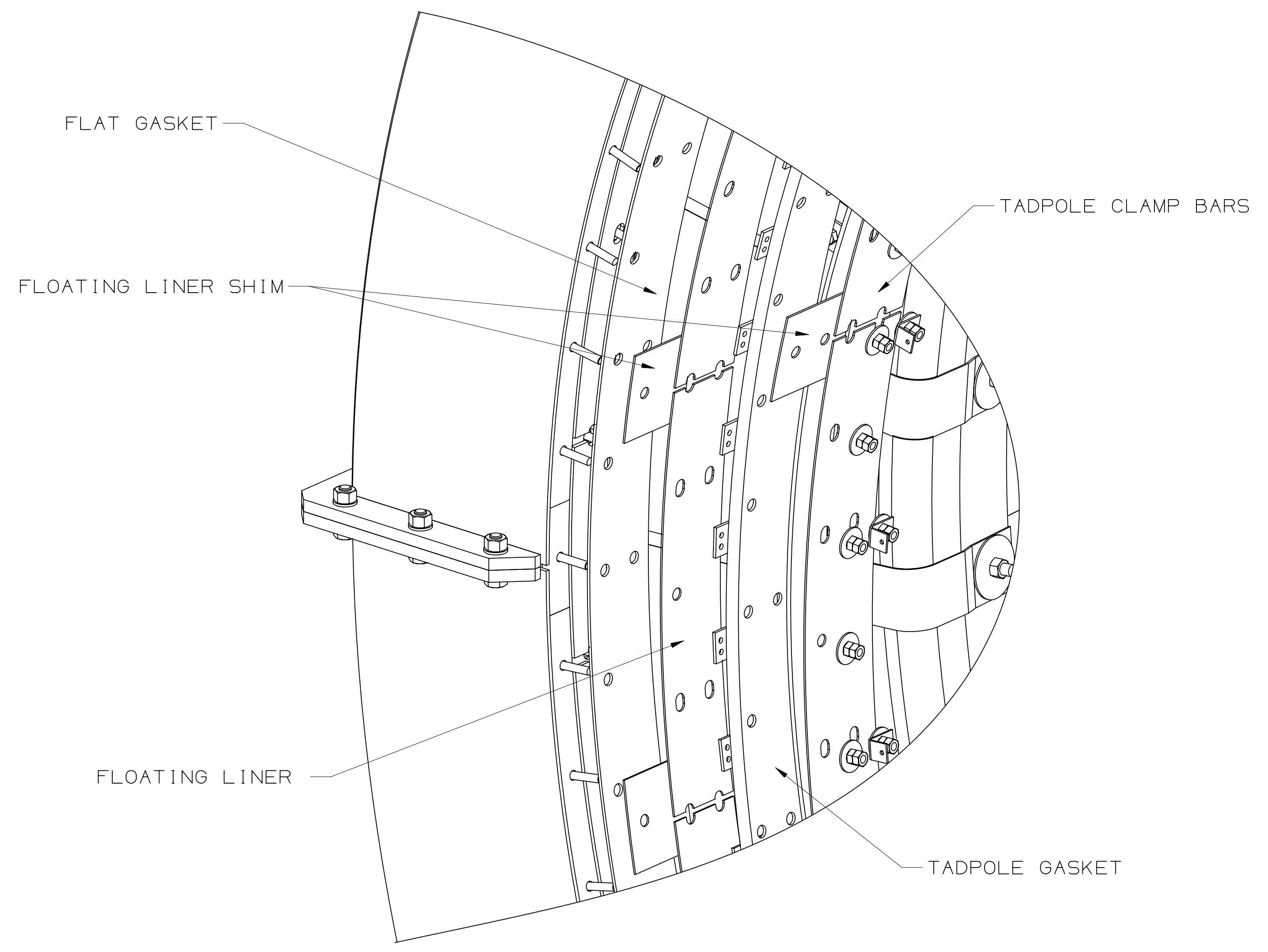
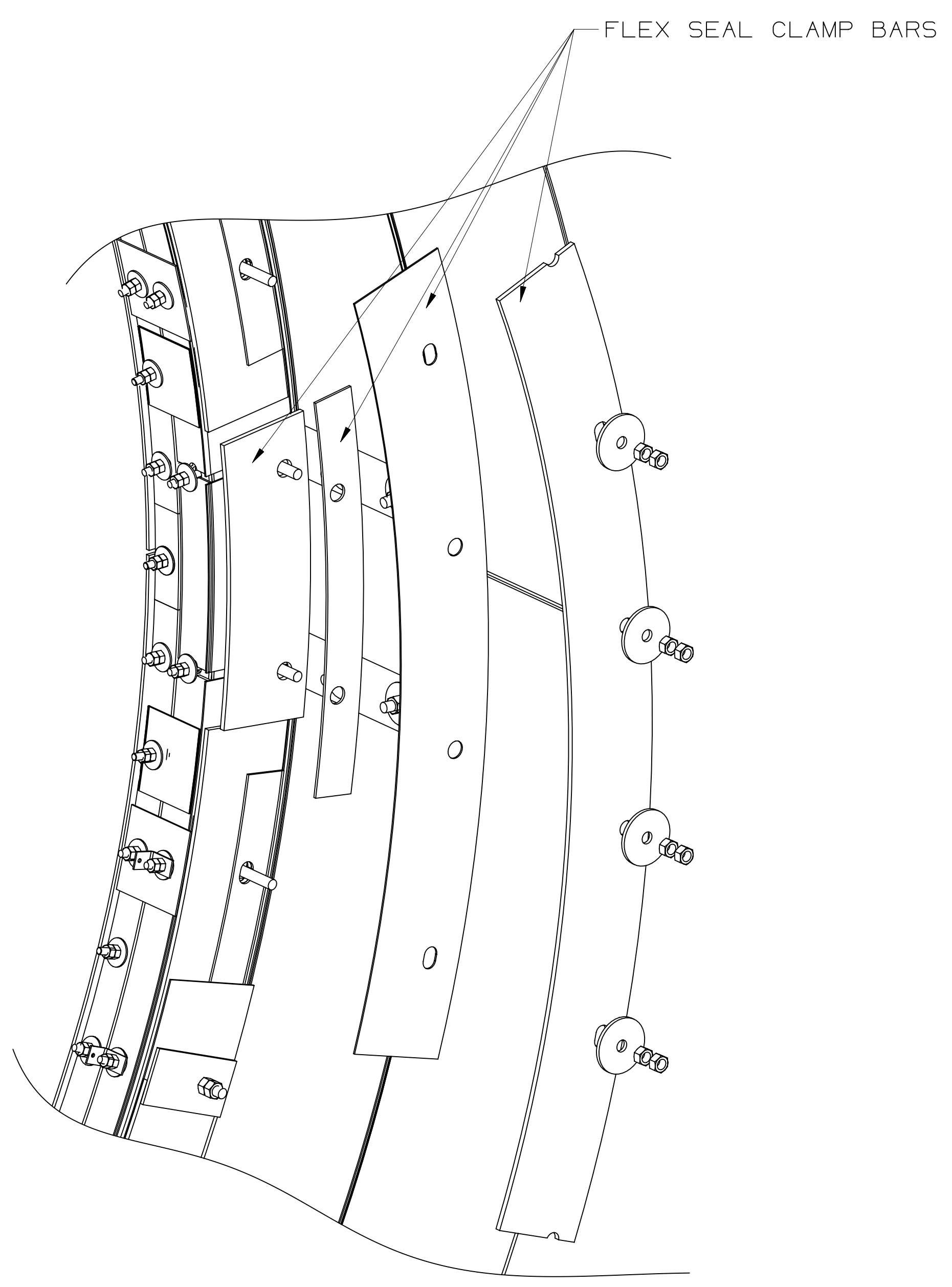
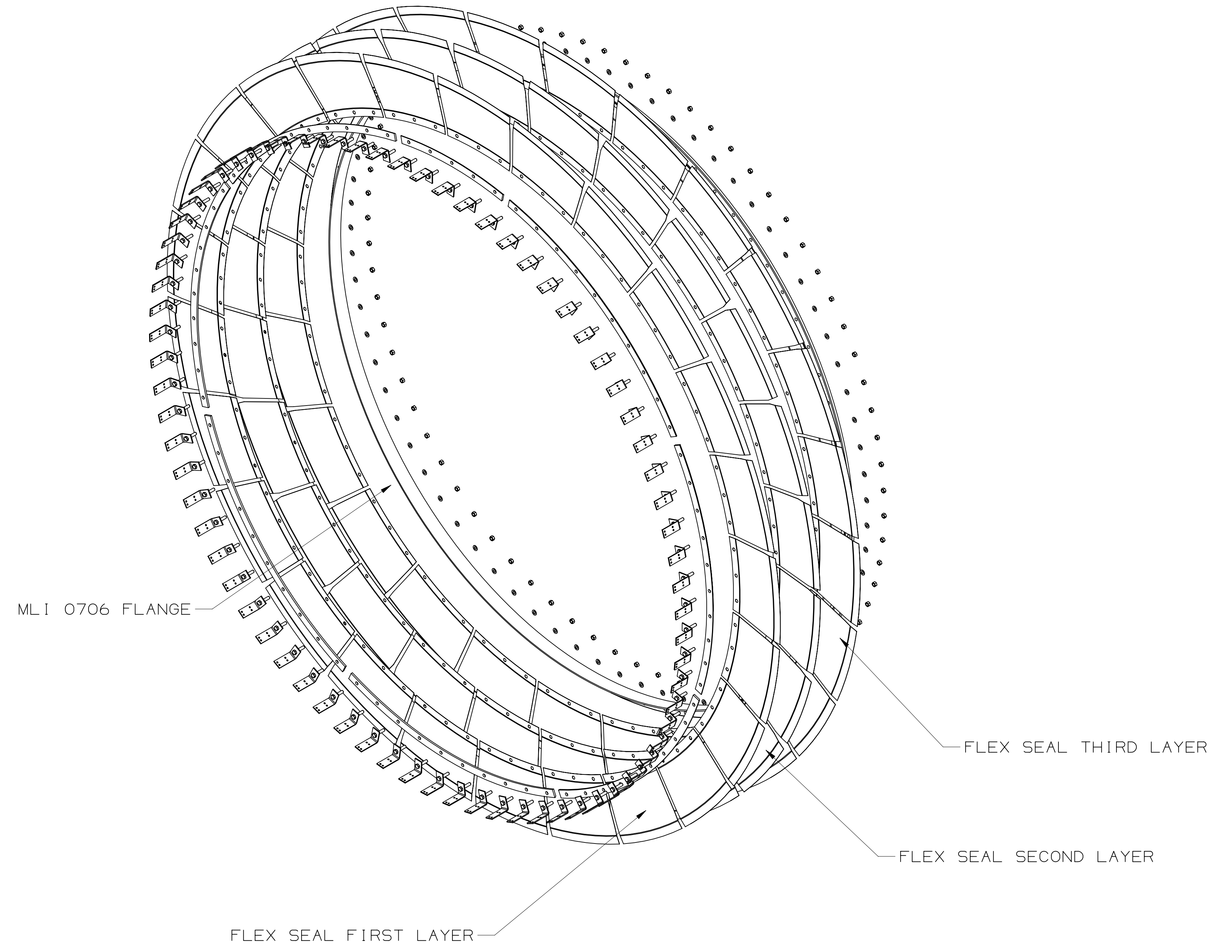
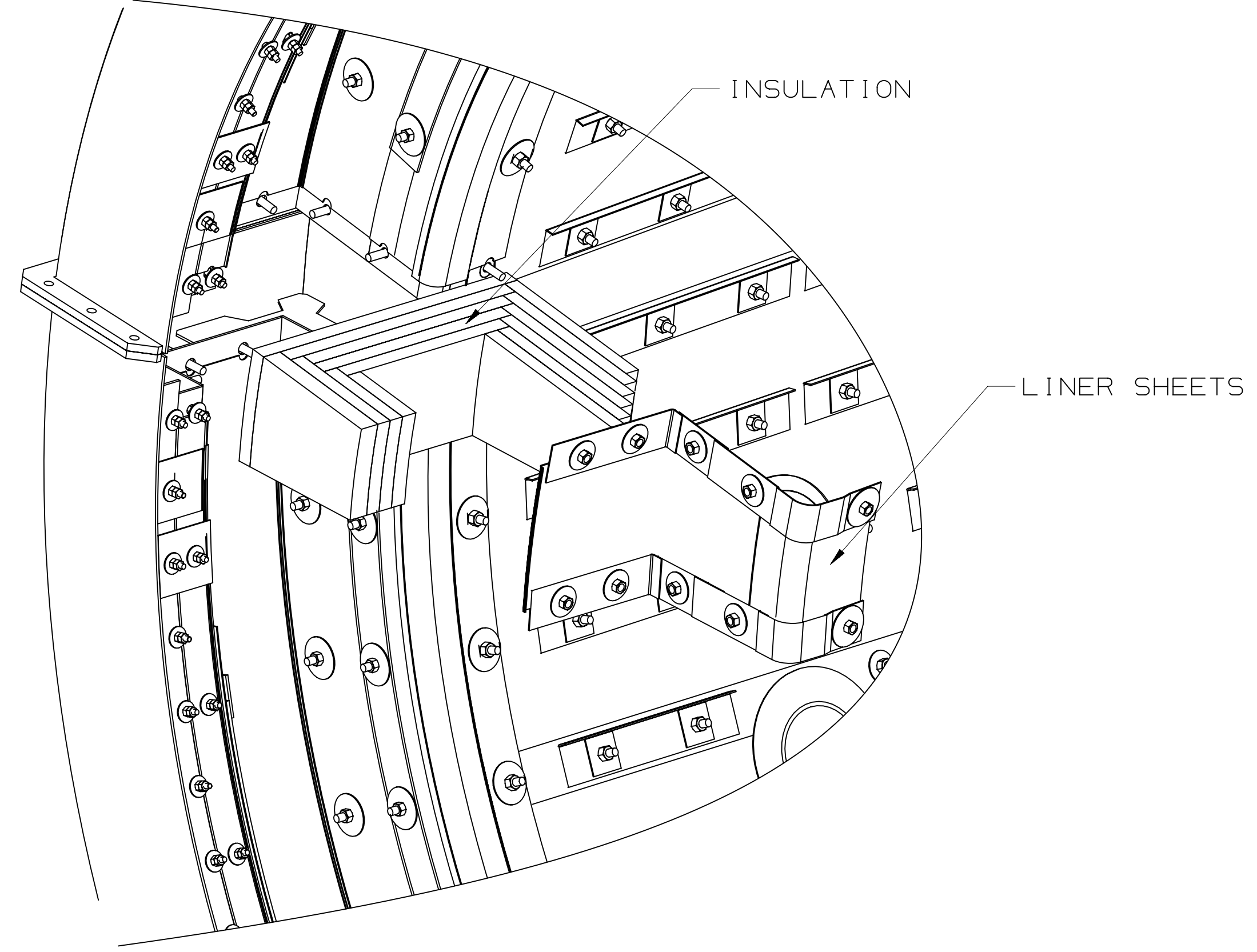
	Document Type:	ARRANGEMENT	Sheet Size:	E	
	Document Title:	7FA EXHAUST DIFFUSER DUCT EREC PROCE			
Creation Date (YYYY-MM-DD):	2024-11-25	Drawing Number:	317T1518	Revision Sheet:	- 3 OF 7



NOT DEFINED
 Copyright © GE Vernova and/or its affiliates 2024
 All rights reserved. The information herein is proprietary information of GE Vernova and/or its affiliates.

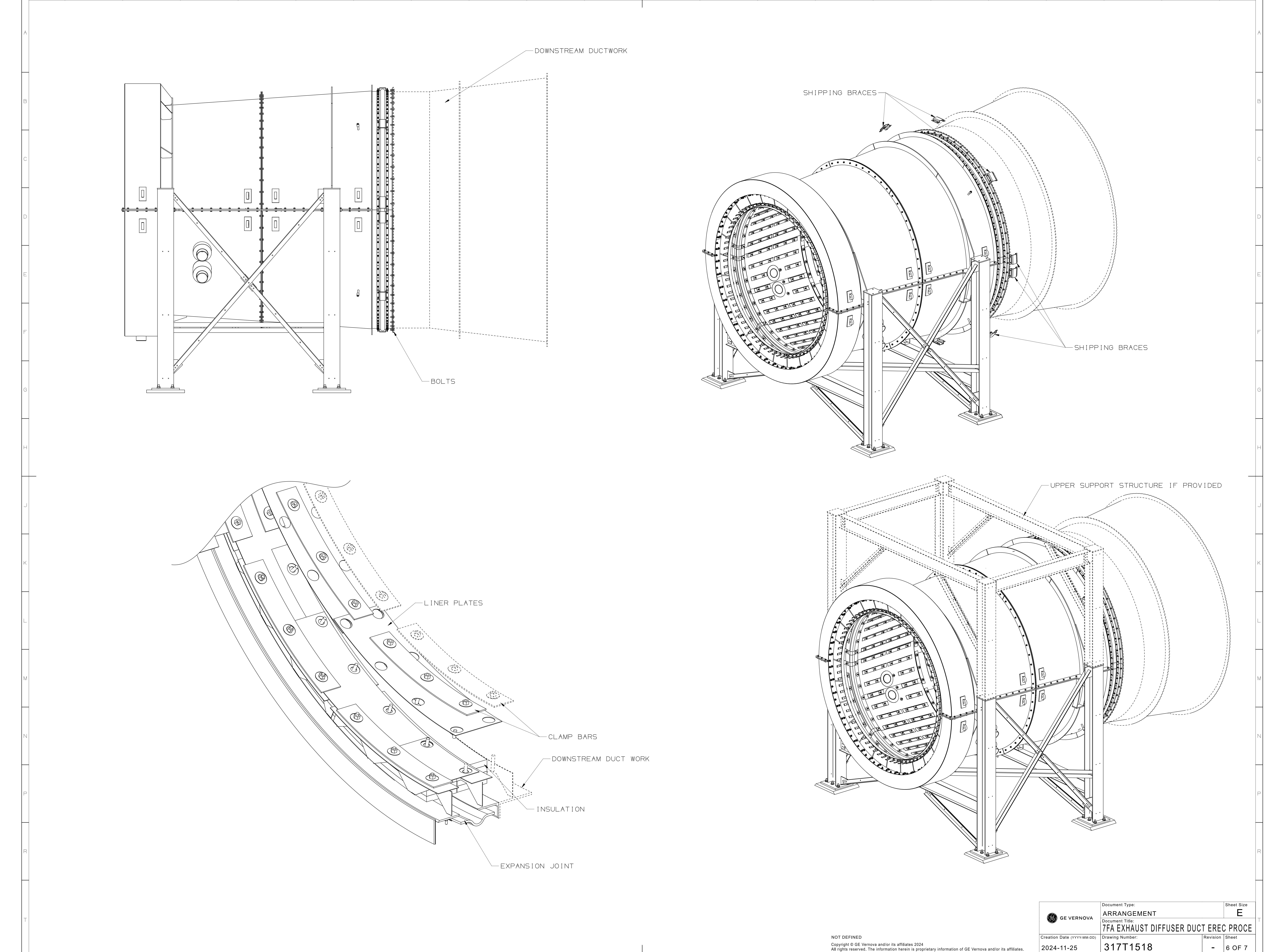
	Document Type:	ARRANGEMENT	Sheet Size:	E
	Document Title:	7FA EXHAUST DIFFUSER DUCT EREC PROC	Revision:	Sheet
Creation Date (YYYY-MM-DD):	2024-11-25	Drawing Number:	317T1518	- 4 OF 7

REVISE ON CAD ONLY
NX PART: 111T2823



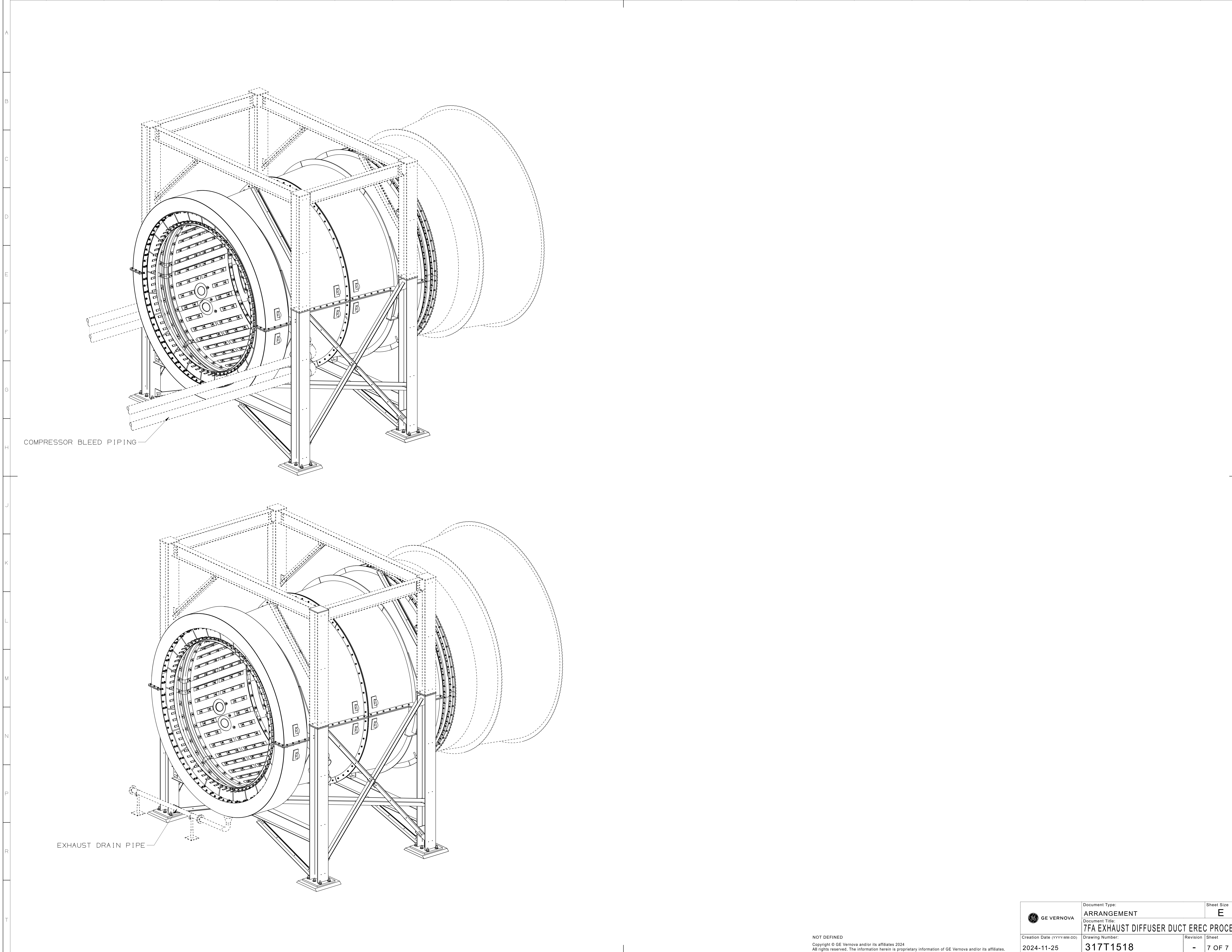
NOT DEFINED
Copyright © GE Vernova and/or its affiliates 2024
All rights reserved. The information herein is proprietary information of GE Vernova and/or its affiliates.

	Document Type:	ARRANGEMENT	Sheet Size:	E	
	Document Title:	7FA EXHAUST DIFFUSER DUCT EREC PROCE			
Creation Date (YYYY-MM-DD):	2024-11-25	Drawing Number:	317T1518	Revision Sheet:	- 5 OF 7



	Document Type:	ARRANGEMENT	Sheet Size:	E	
	Document Title:	7FA EXHAUST DIFFUSER DUCT EREC PROC			
Creation Date (YYYY-MM-DD):	2024-11-25	Drawing Number:	317T1518	Revision Sheet:	- 6 OF 7

NOT DEFINED
 Copyright © GE Vernova and/or its affiliates 2024
 All rights reserved. The information herein is proprietary information of GE Vernova and/or its affiliates.



NOT DEFINED
 Copyright © GE Vernova and/or its affiliates 2024
 All rights reserved. The information herein is proprietary information of GE Vernova and/or its affiliates.

	Document Type:	ARRANGEMENT	Sheet Size:	E
	Document Title:	7FA EXHAUST DIFFUSER DUCT EREC PROCE		
Creation Date (YYYY-MM-DD):	2024-11-25	Drawing Number:	317T1518	Revision Sheet
				- 7 OF 7