

Project

HYDROGEN READY POWER PLANT


Customer

GREENFIELD SOUTH POWER INC.

Applique

GAS TURB. S/N: 299735 / IPS1615904

GEN S/N: GG10870 / 761x090

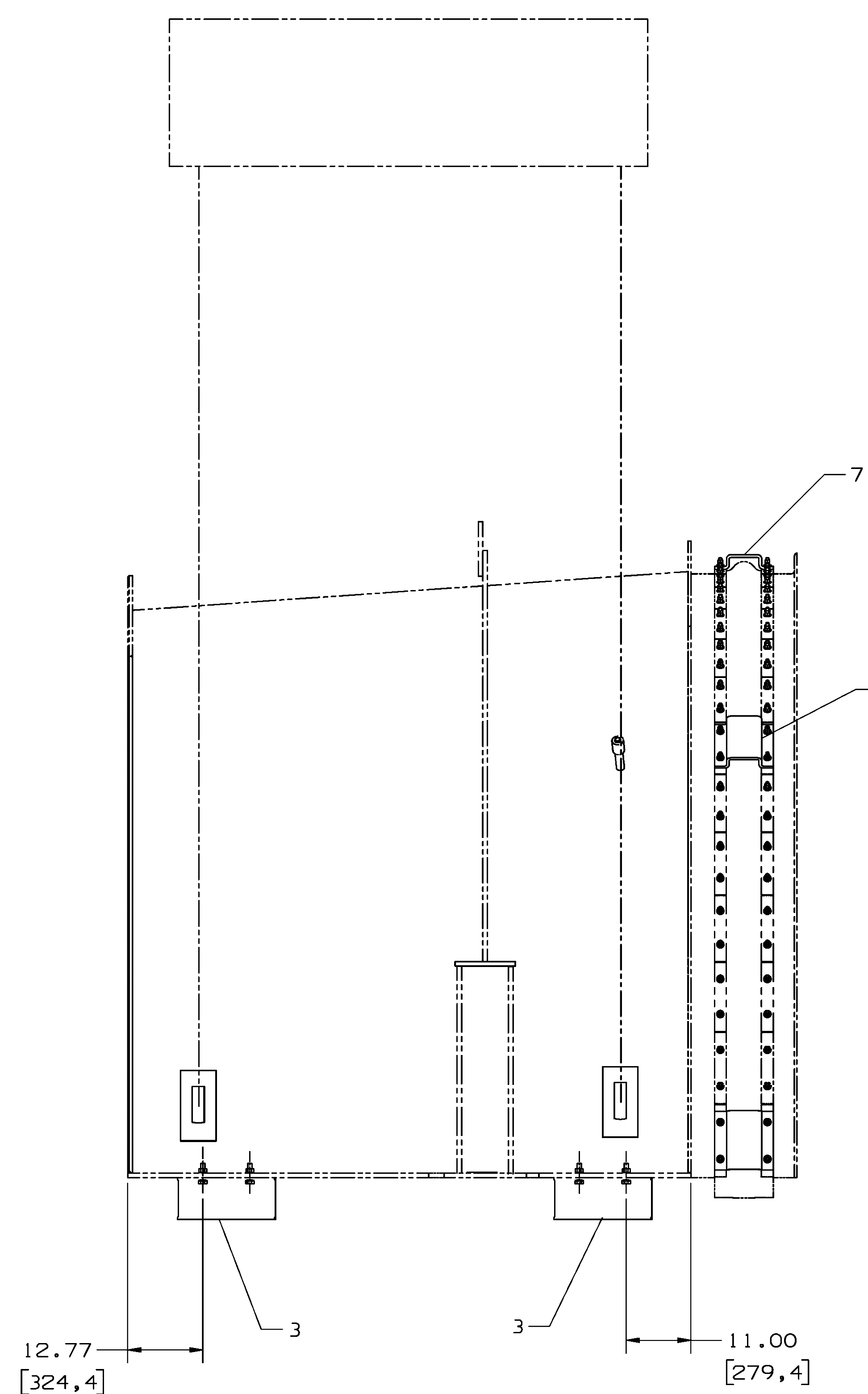
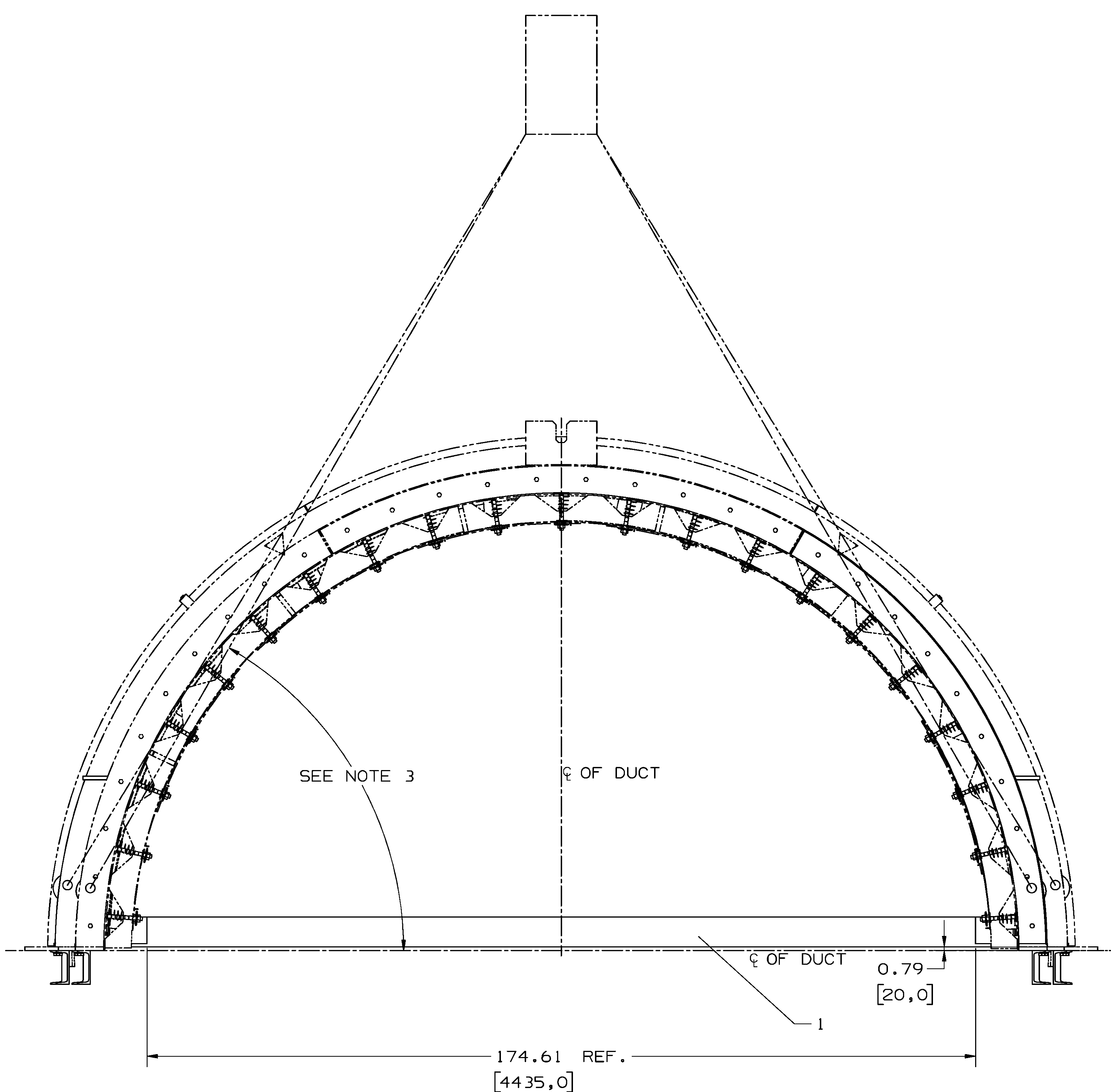
IP Classification		Export Classification	
GE Project Document Number		GE Project Doc Revision	
GE Project Document Description			
GE Project Document Type		Distribution List	
	Remarks 1		
	GE Document Number	GE Document Revision	Disposal Code
	GE Document Title		

Copyright ©2023 GE Vernova and/or its affiliates
 All rights reserved. The information herein is proprietary information of GE Vernova and/or its affiliates. Thus, it is being provided with the explicit expectation of restricted use. All persons or legal entities receiving this information shall be deemed by the act of its receipt to have contractually agreed to make no duplications, reproductions of any nature by any means, modifications, disclosures, or use any portion of this material; except as is expressly authorized in writing by GE Vernova and/or its affiliates.

1. ALL DIMENSIONS ARE IN INCHES (MM) UNLESS OTHERWISE SPECIFIED.
2. THE MATING SURFACE OF CRIBBING WITH FLANGES SHALL BE PROTECTED BY PLASTIC FILM.
3. MINIMUM LIFTING SLING ANGLE IS 60 DEGREES. SOFT MATERIAL IS NEEDED BETWEEN SLINGS AND EXTERIOR DUCT SURFACE TO PROTECT PAINT.
4. ALL ANGLE STEEL SHALL BE GB9787.
5. DIMENSIONS DERIVED USING CHINESE STRUCTURAL MEMBERS.
6. ALL CHANNEL STEEL SHALL BE GB707.
7. ALL BOLTING HARDWARE SHALL BE HOT DIP GALVANIZED AS PER ASTM A153, CLASS C.

Revision History			
Rev	Description	Date (YYYY-MM-DD)	Approved
A	LEGEND 1) REVISED 2) ADDED 3) DELETED	2023-11-22	DRAWN BASHA ENGINEER MOHAMMED JAVEED

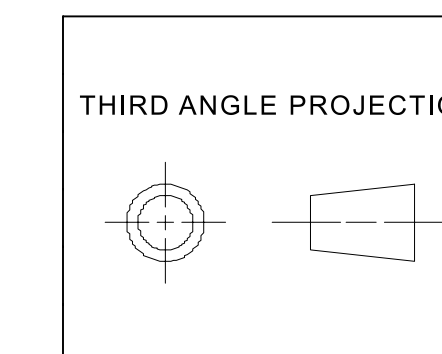
REP	QTY	DESCRIPTION INCHES [MM]	MATERIAL
1	1	L 6.30 [160,0] X 6.30 [160,0] X 0.63 [16,0] LENGTH 194.61 [4943,0]	Q235B ACCORDING TO GB 700
2	1	L 6.30 [160,0] X 6.30 [160,0] X 0.63 [16,0] LENGTH 204.04 [5182,5]	Q235B ACCORDING TO GB 700
3	4	U18 7.09 [180,0] X 2.76 [70,0] X 0.35 [9,0]	Q235B ACCORDING TO GB 700
4	8	HEXAGON HEAD BOLT M20, LENGTH 3.15 [80,0]	ASTM A325M, TYPE1
5	8	HEXAGON NUT M20, HEIGHT 0.74 [18,7]	ASTM A563M, GRADE 10S
6	16	M20 WASHER, THICKNESS 0.12 [3,0]	ASTM F436M, TYPE1
7	5	SHIPPING BRACKET, SHEET 13.86 [352,1] X 10.00 [254,0] X 0.47 [12,0]	Q235B ACCORDING TO GB 700



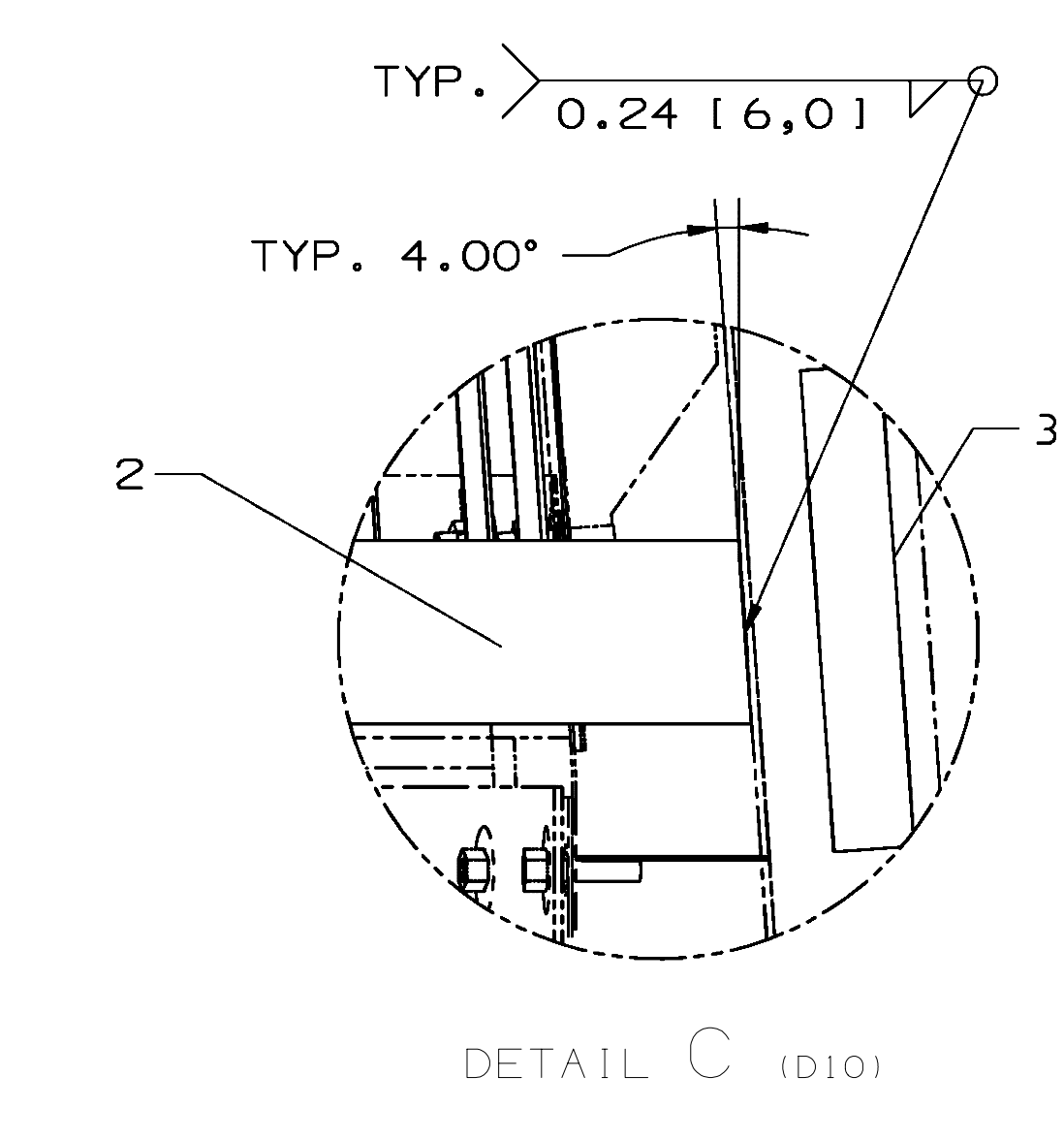
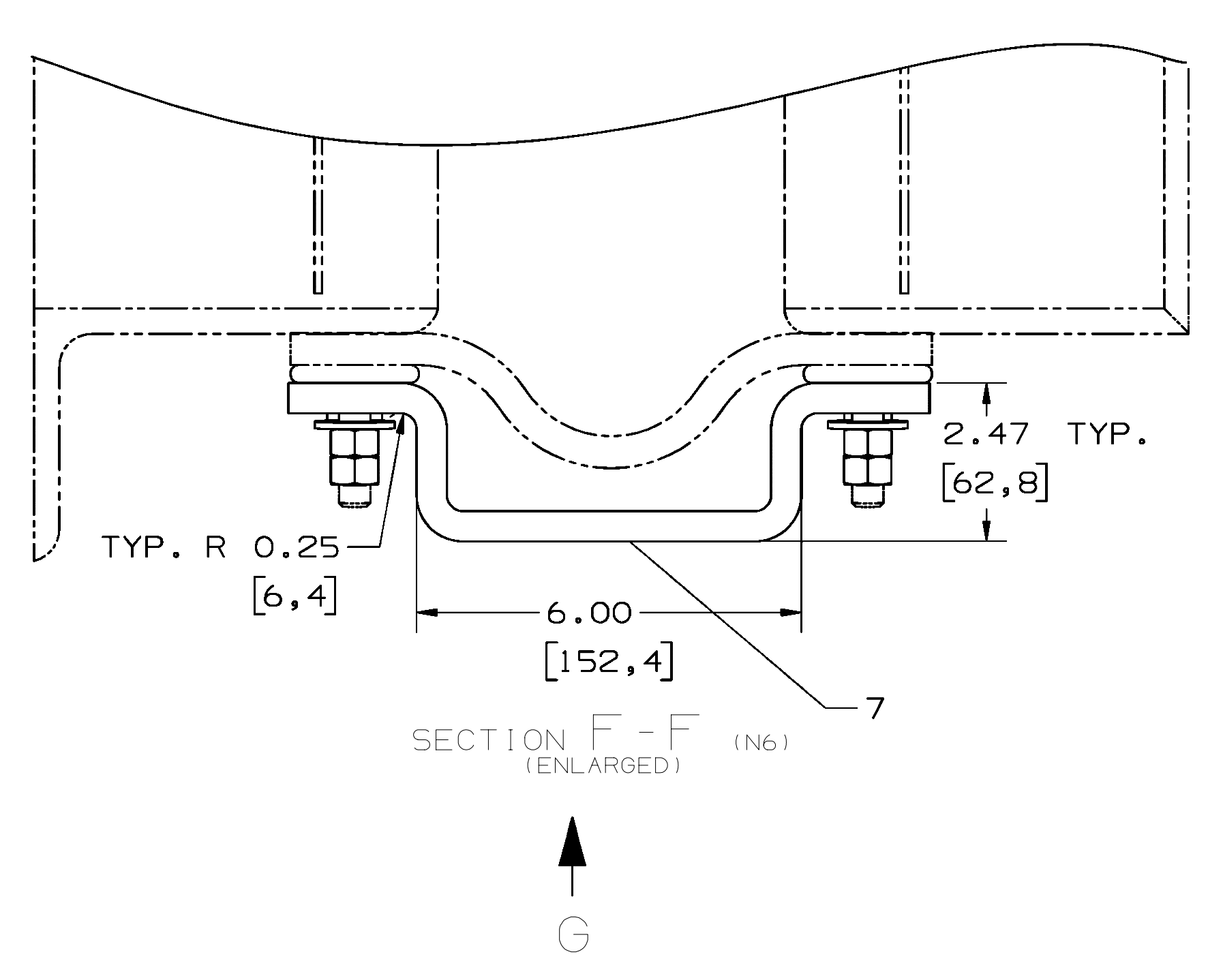
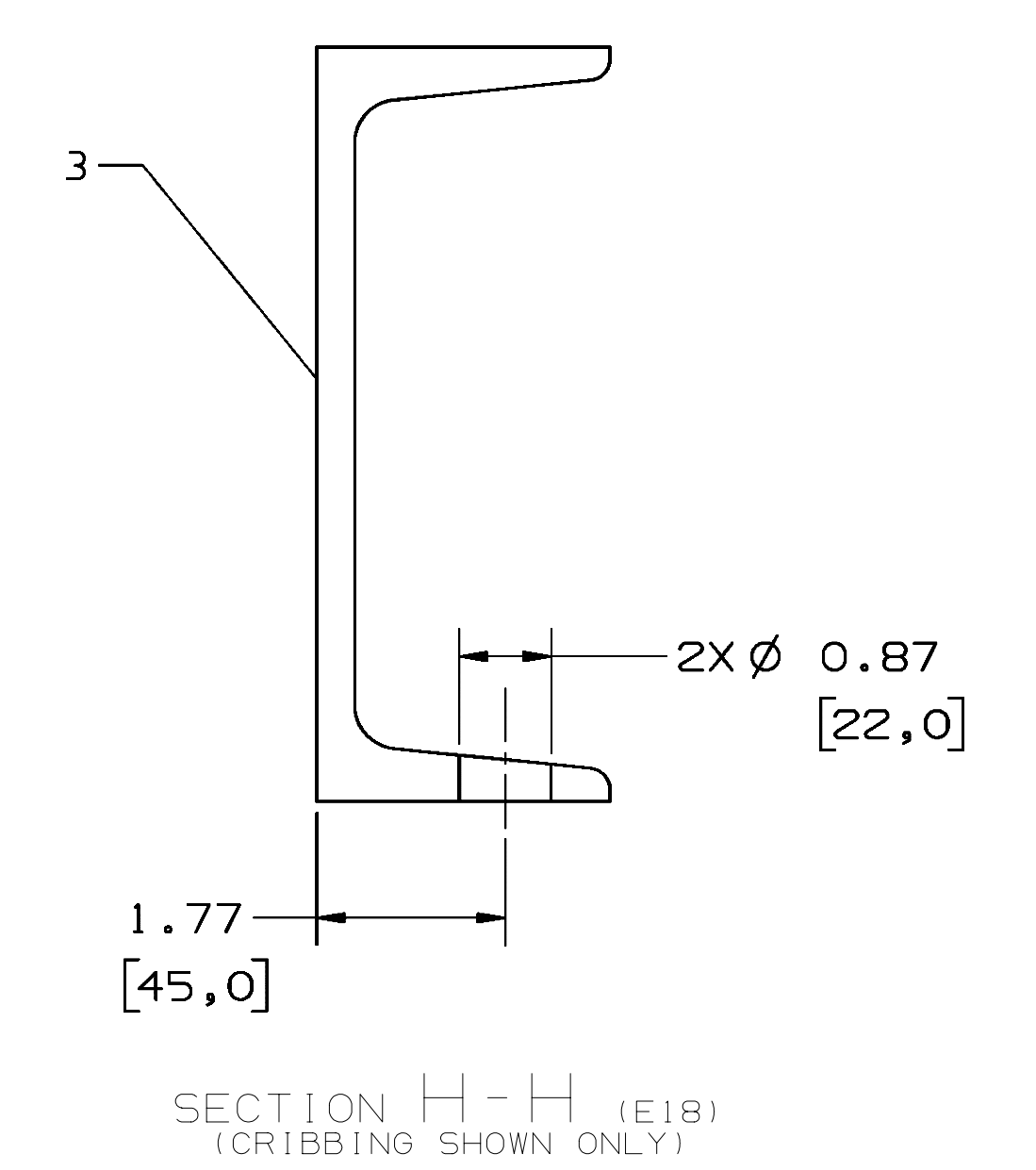
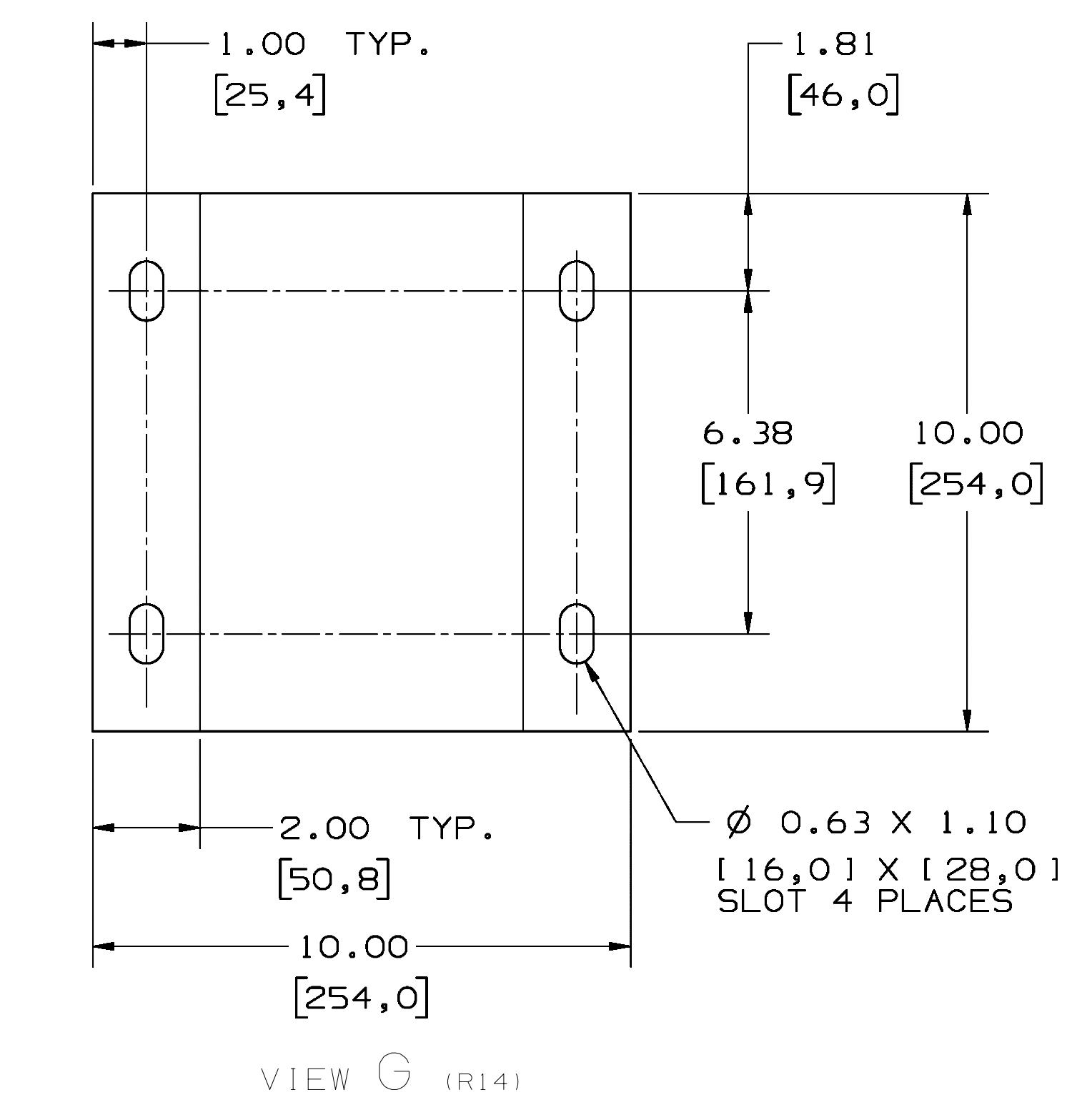
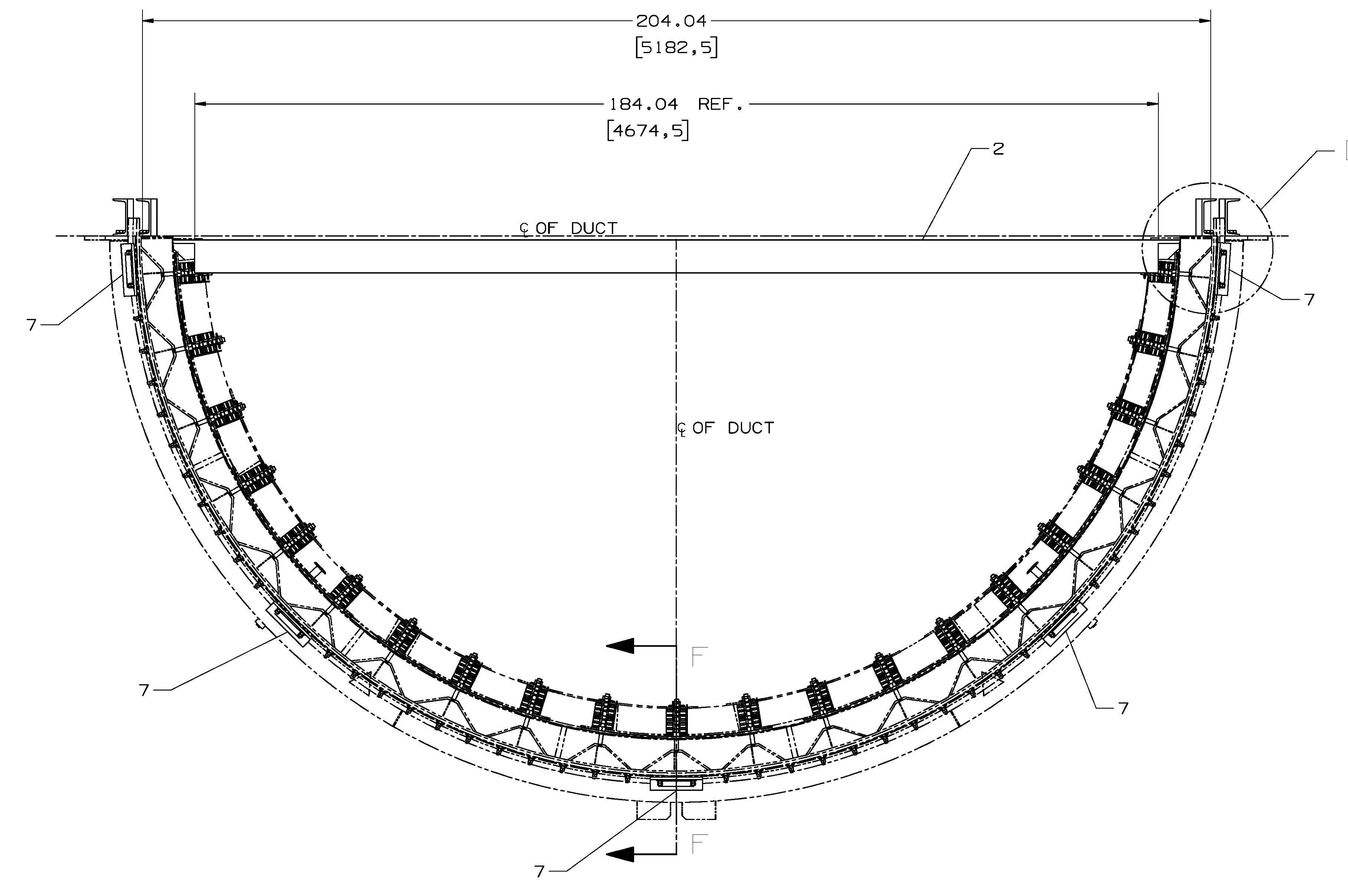
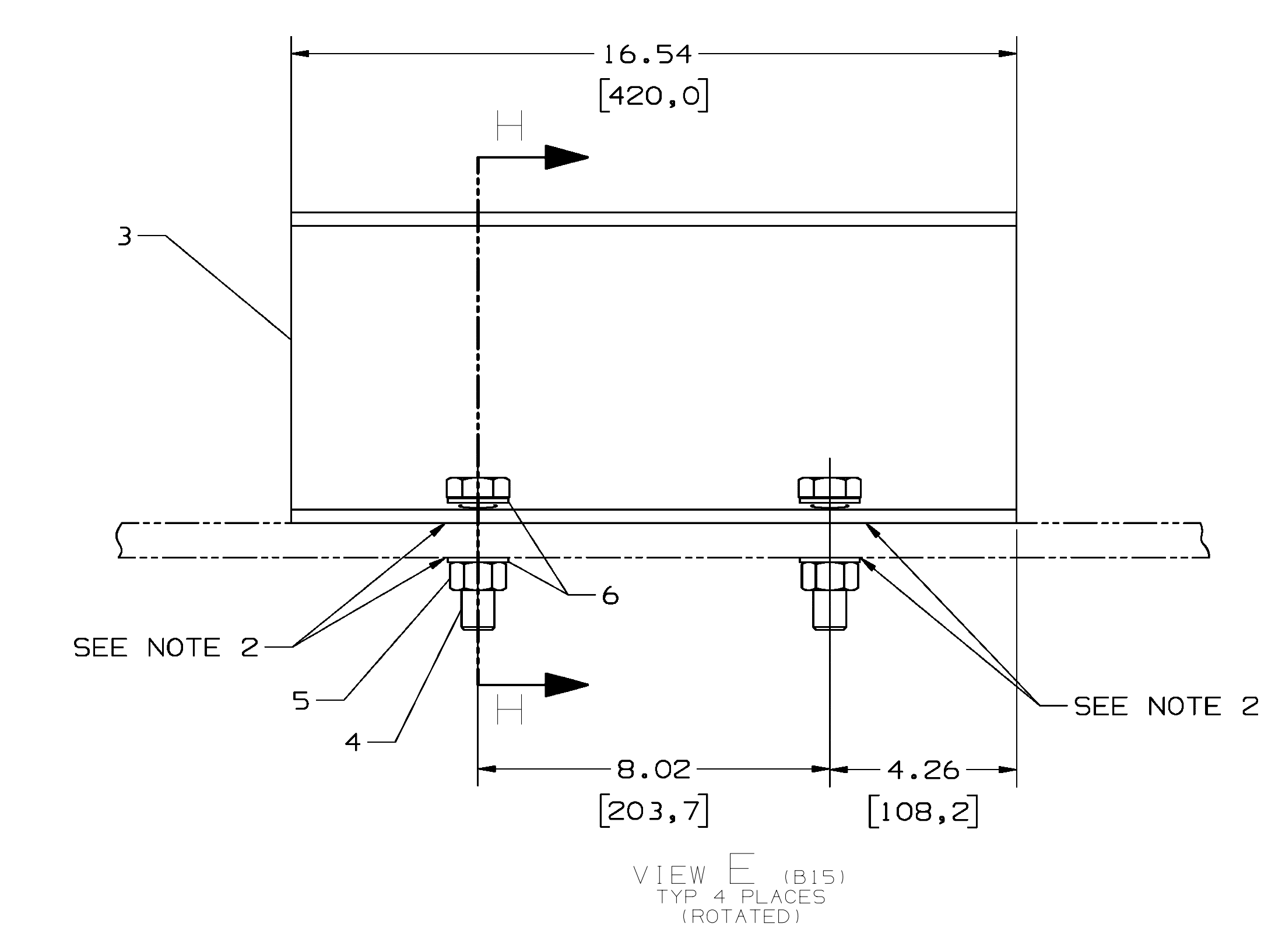
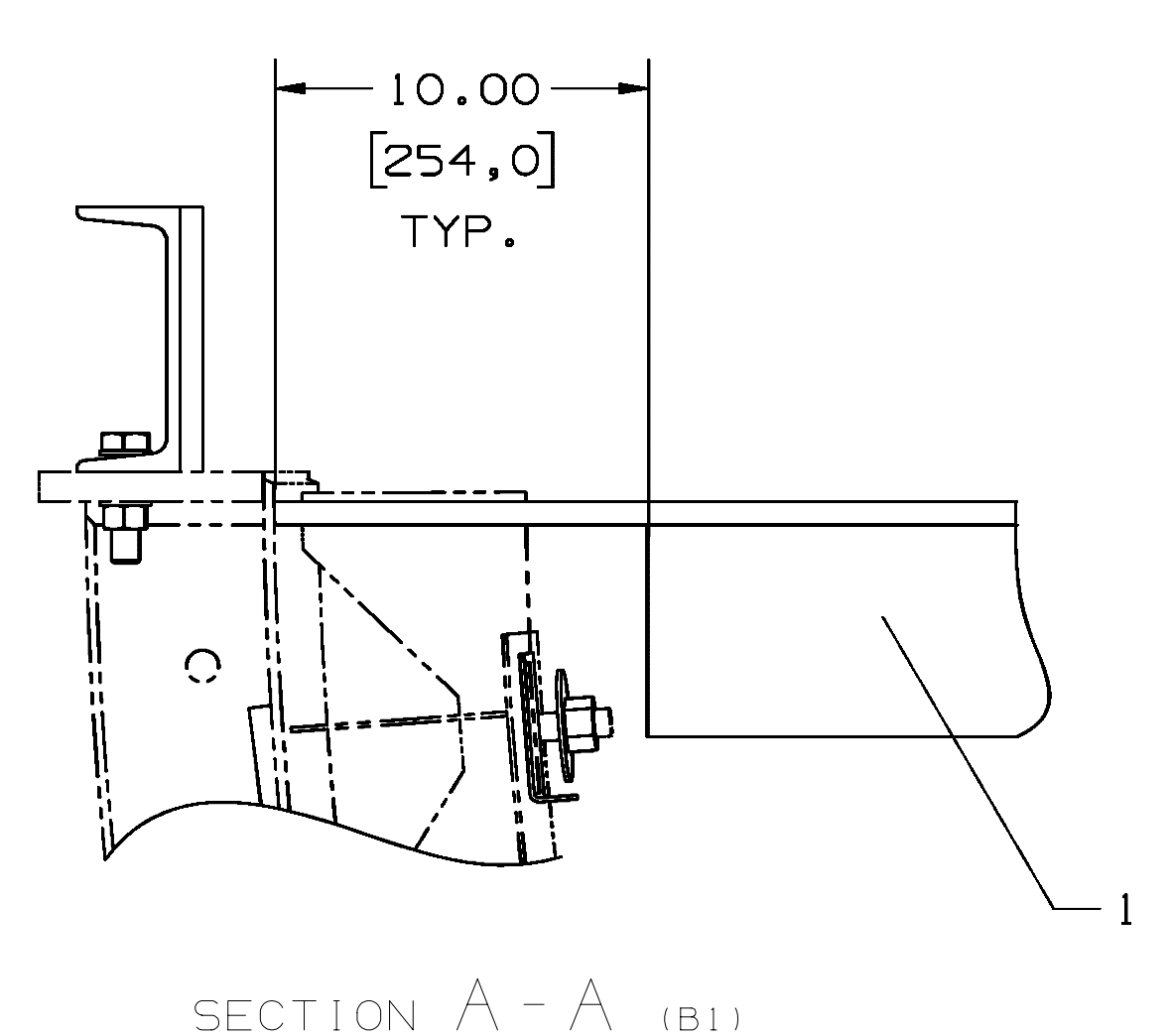
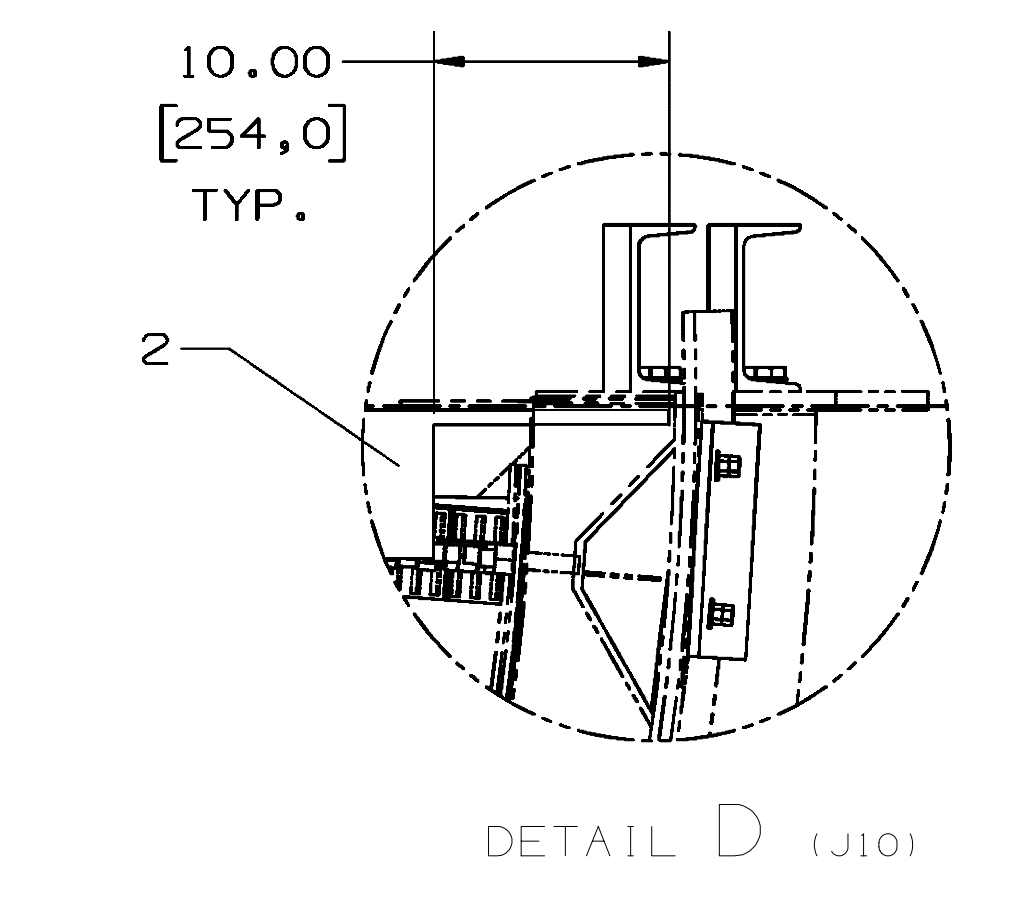
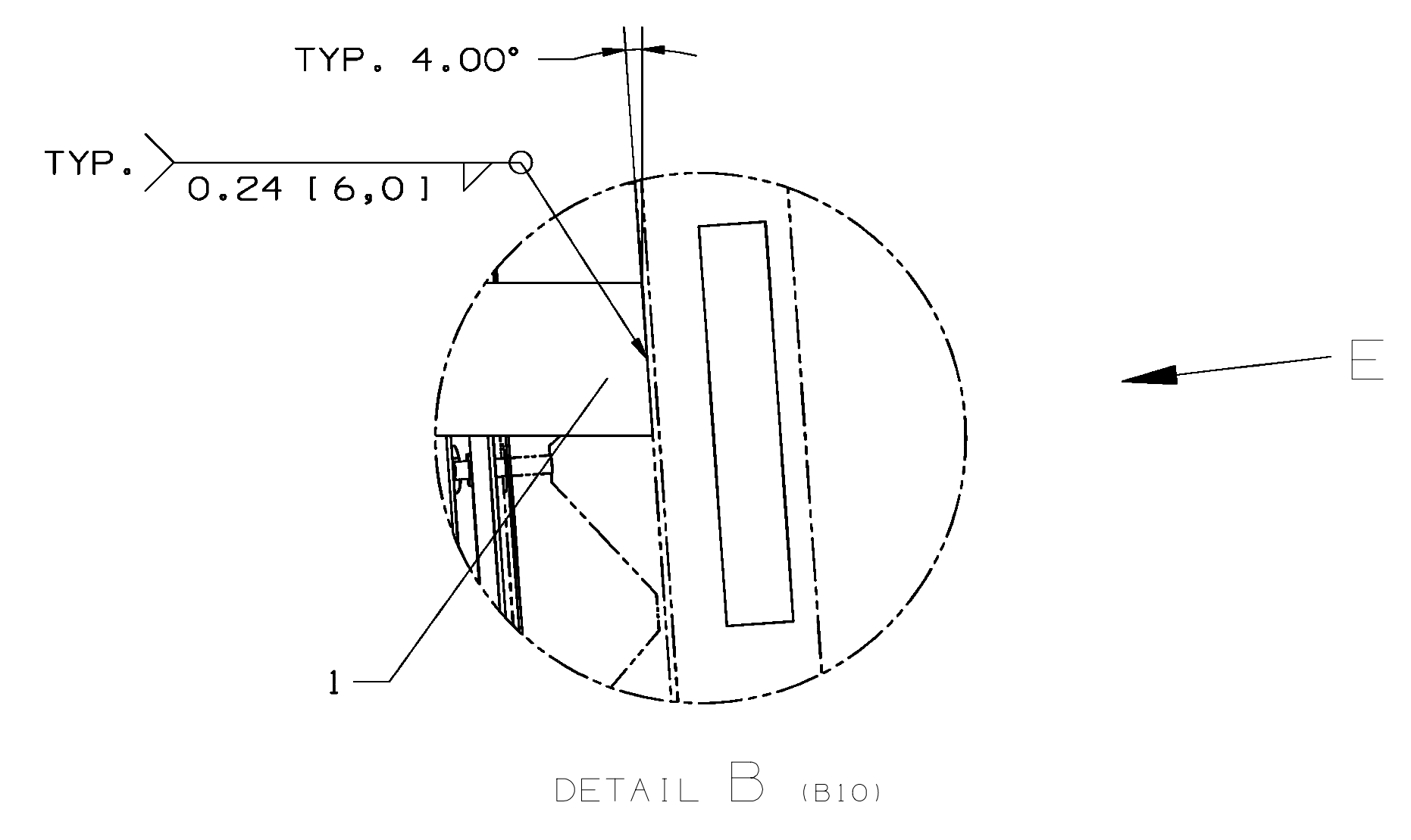
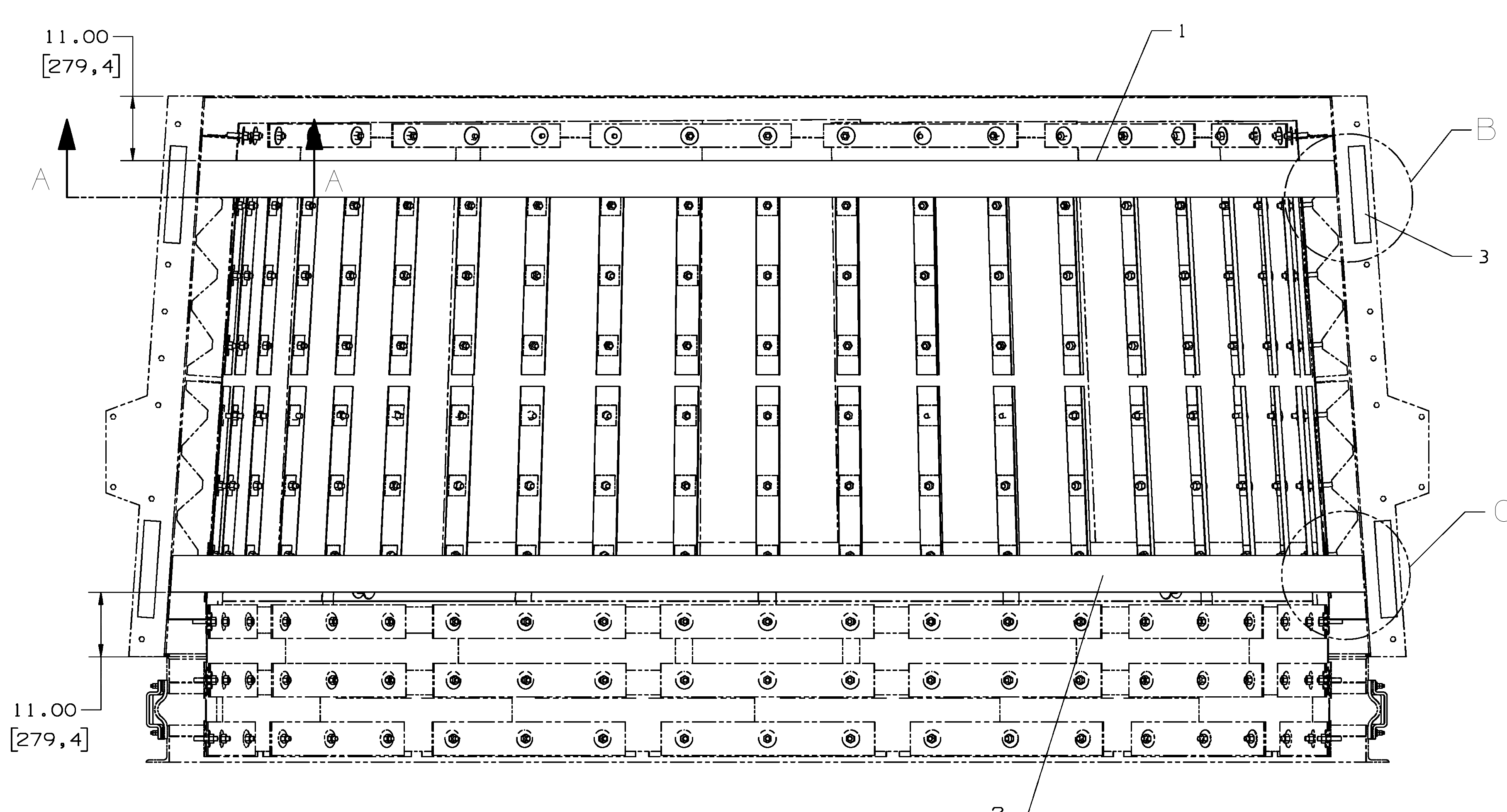
IT.	NOMENCLATURE	IDENT.
3	GENERAL APPLIED PRACTICE	389A4331P421 389A4331P406 389A4331P403
2	WLD APPLIED PRACTICE	389A4331P210 389A4331P200
1	PAINTING APPLIED PRACTICE	389A4331P140 389A4331P130
LIST OF COMPLEMENTARY DOCUMENTS		

NLR

Copyright © GE Vernova and/or its affiliates 2009-2023
All rights reserved. The information herein is proprietary information of GE Vernova and/or its affiliates. Thus, it is being provided with the explicit expectation of restricted use. All persons or legal entities receiving this information shall be deemed by the act of its receipt to have contractually agreed to make no duplications, reproductions of any nature by any means, modifications, disclosures, or use any portion of this material, except as is expressly authorized in writing by GE Vernova and/or its affiliates.



Similar To: NONE	Created By: LU LAIDI	MLI A042
First Made For: ML-7K1WFA1-12	Approved By: LIU ZHANZHI	IEC61385 NO. NONE
	Document Type: ARRANGEMENT	Sheet Size E
	Document Title: BOTTOM AFT DUCT SHIPPING FRAME	
Creation Date (YYYY-MM-DD): 2009-10-27	Drawing Number: 146E2868	Revision A
		Sheet 1 OF 2



AFT FLANGE OF EXPANSION JOINT NOT SHOWN FOR CLARITY

	Document Type:	ARRANGEMENT	Sheet Size:	E
	Document Title:	BOTTOM AFT DUCT SHIPPING FRAME		
Creation Date (YYYY-MM-DD):	Drawing Number:	Revision:	Sheet:	
2009-10-27	146E2868	A	2 OF 2	