

Project

# **HYDROGEN READY POWER PLANT**


Customer

## **GREENFIELD SOUTH POWER INC.**

Applique

**GAS TURB. S/N: 299735 / IPS1615904**

**GEN S/N: GG10870 / 761x090**

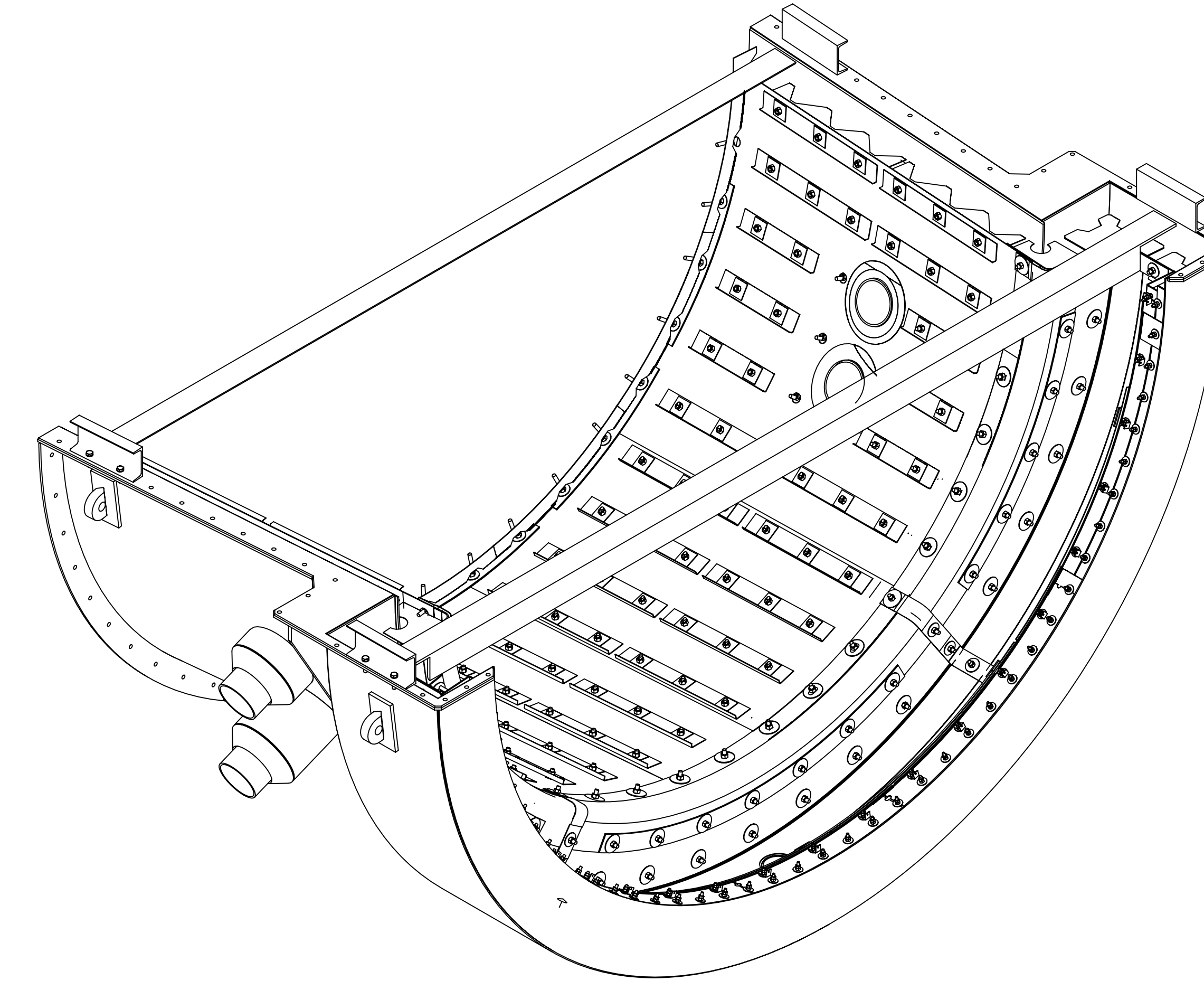
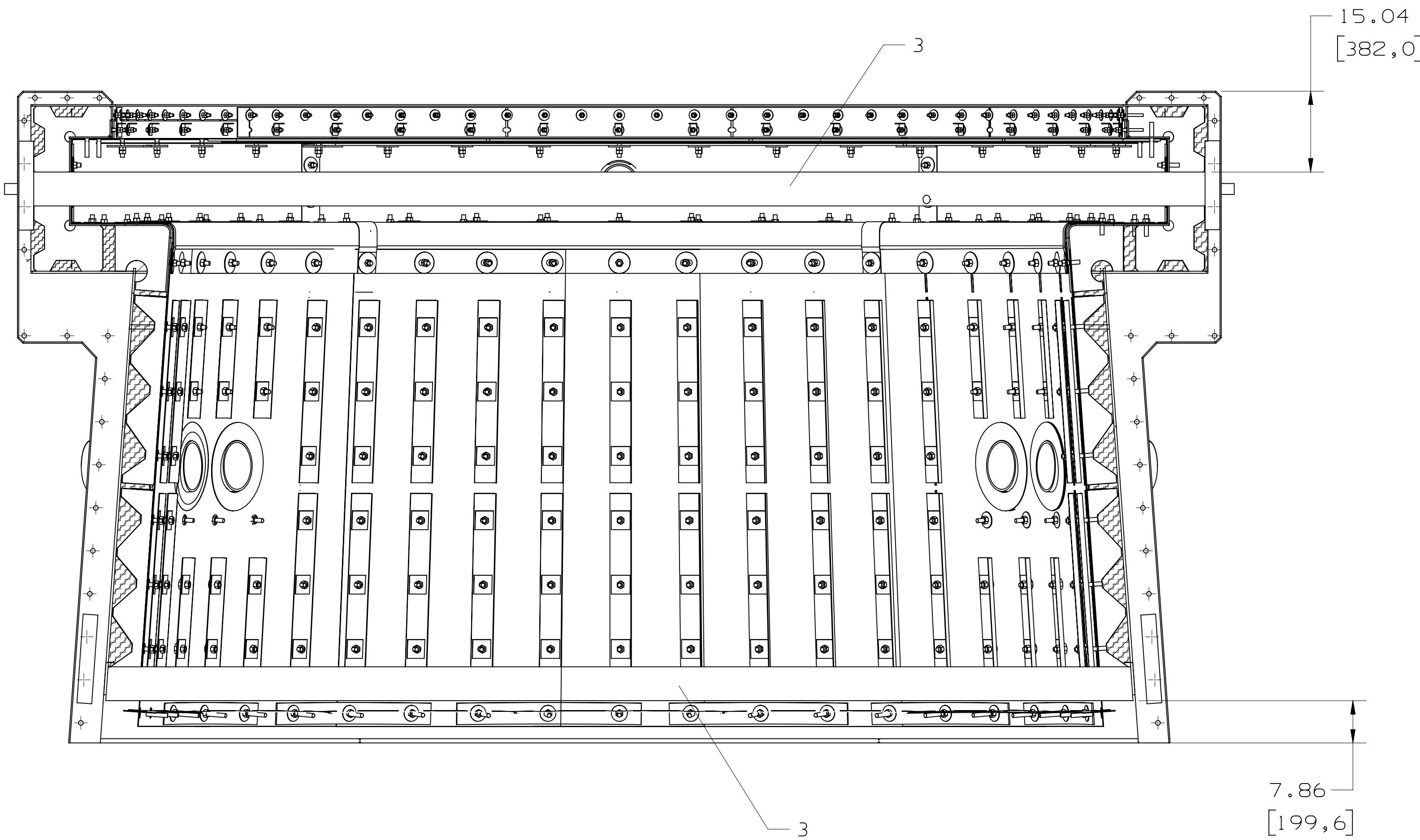
IP Classification		Export Classification	
GE Project Document Number		GE Project Doc Revision	
GE Project Document Description			
GE Project Document Type		Distribution List	
	Remarks 1		
	GE Document Number	GE Document Revision	Disposal Code
	GE Document Title		

Copyright ©2023 GE Vernova and/or its affiliates  
 All rights reserved. The information herein is proprietary information of GE Vernova and/or its affiliates. Thus, it is being provided with the explicit expectation of restricted use. All persons or legal entities receiving this information shall be deemed by the act of its receipt to have contractually agreed to make no duplications, reproductions of any nature by any means, modifications, disclosures, or use any portion of this material; except as is expressly authorized in writing by GE Vernova and/or its affiliates.

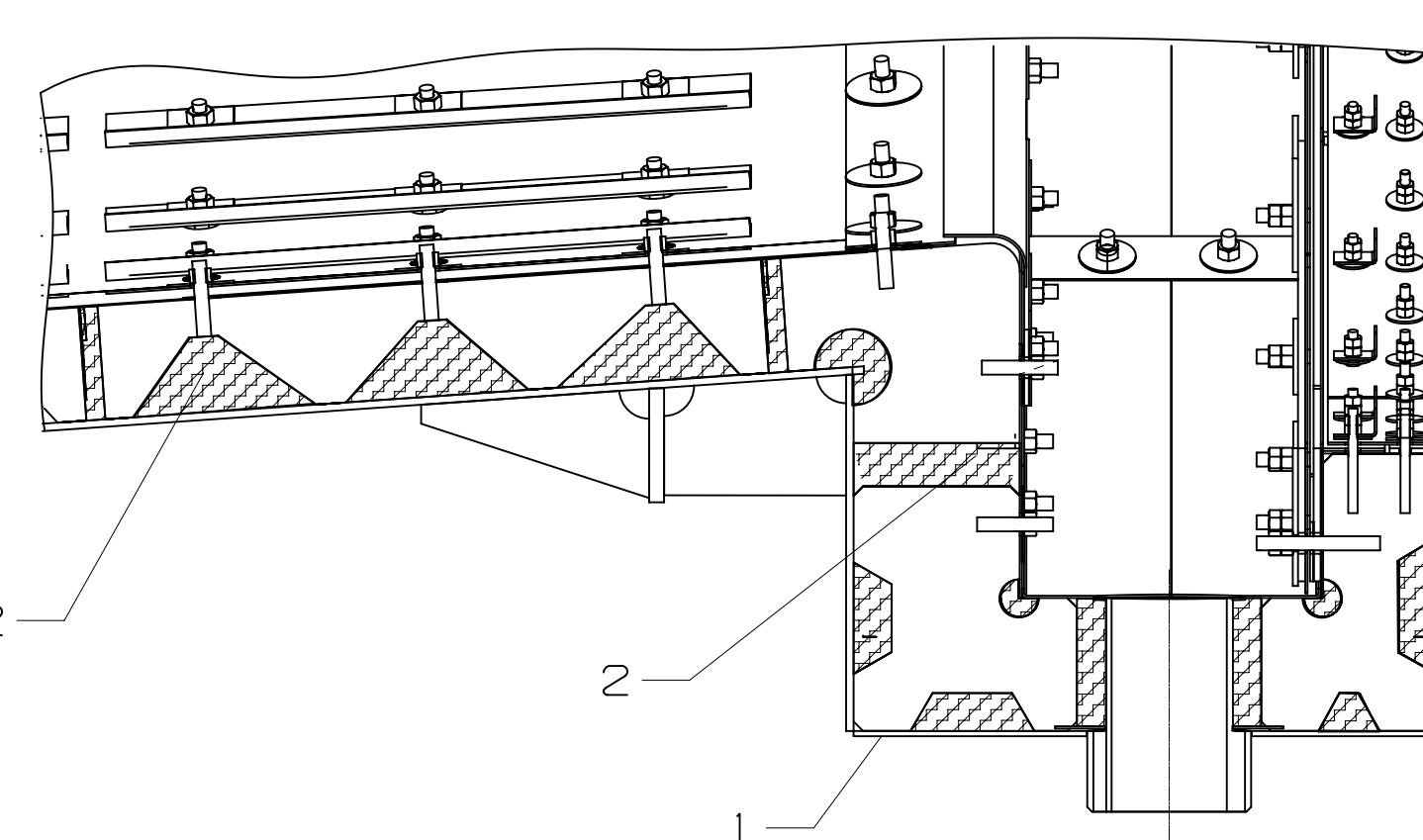
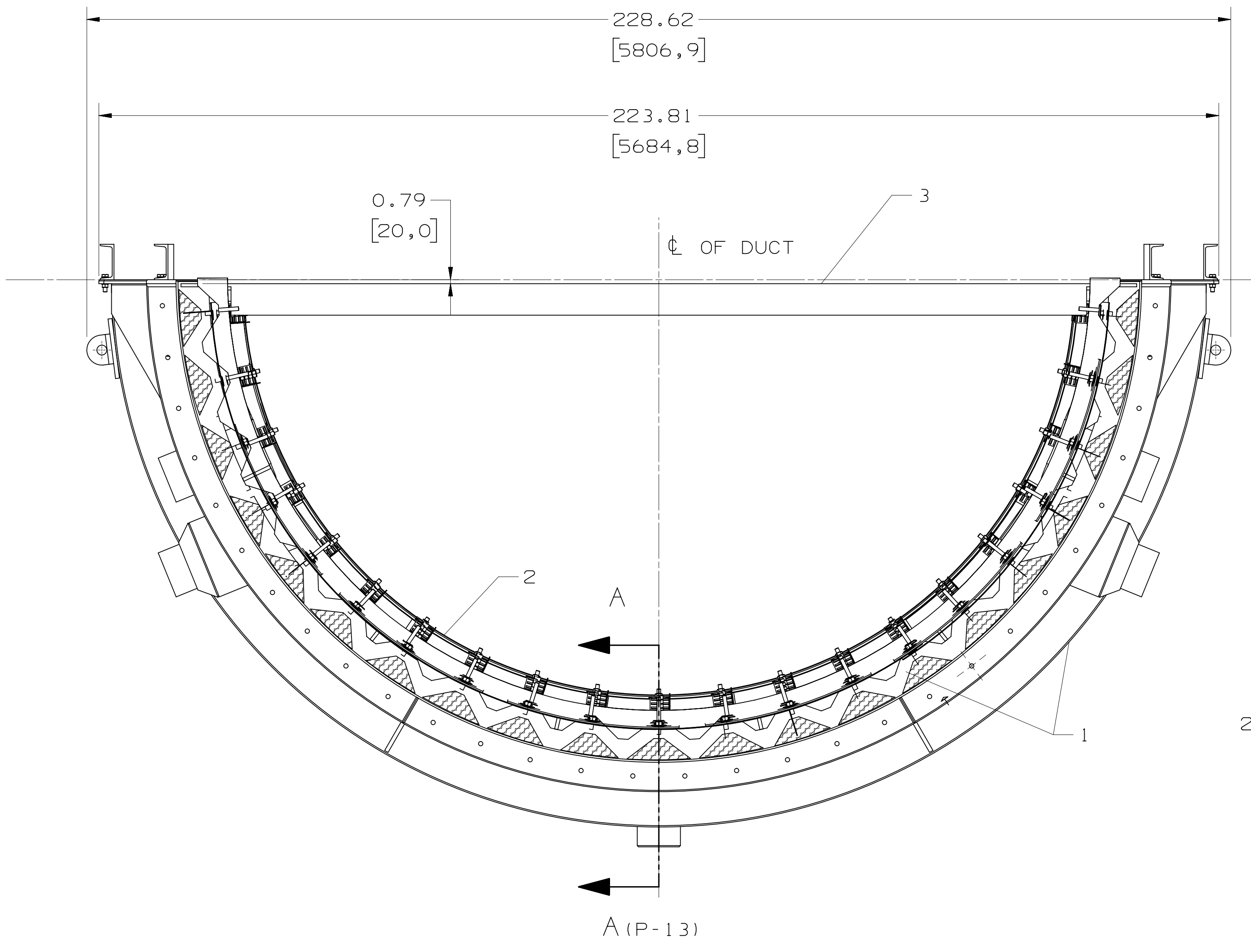
REVISION HISTORY			
REV	DESCRIPTION	DATE (YYYY-MM-DD)	APPROVED
-			

NOTES:  
 1. ALL DIMENSIONS ARE IN INCHES [MM] UNLESS OTHERWISE SPECIFIED.

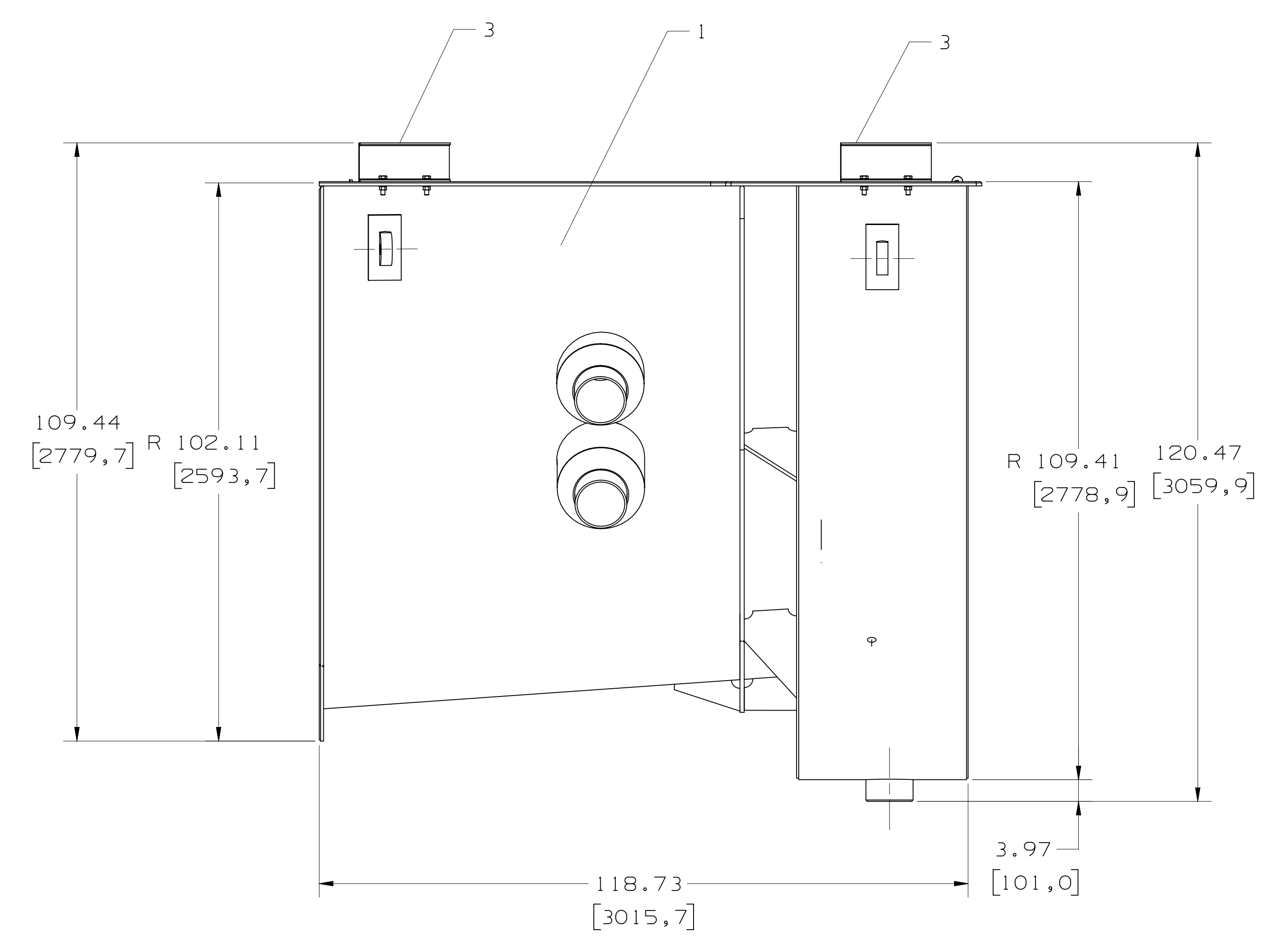
REP	QUANTITY	DESCRIPTION	DRAWING
1	1	STRUCTURE	124T0439
2	1	INTERNAL INSULATION	146E1191
3	1	FRAME FOR SHIPMENT	146E1251



ISOMETRIC VIEW

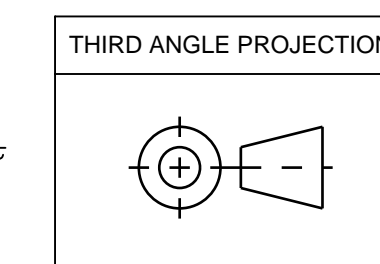


SECTION A-A (R-7)



GE CLASS II (INTERNAL NON-CRITICAL) / NOT EXPORT CONTROLLED

© 2016 General Electric Company (USA)  
 All rights reserved. The information herein is Proprietary and Technically Exclusive content that is solely owned by General Electric Company and/or its affiliates. This is being provided with the explicit expectation of restricted and privileged use. All persons or legal entities receiving this information shall be deemed by the act of its receipt to have contractually agreed to make no duplications, reproductions of any nature by any means, modifications, disclosures, or use any portion of this material except as is expressly authorized in writing by General Electric Company and/or its legitimate affiliates.



SIMILAR TO 123E1050	FIRST MADE FOR ML-7K1WFA1-13	IEC1355 No. NONE	MLI No. A042
CREATED BY ROBERT FORREST	APPROVED BY SEE PLM	DOCUMENT TYPE ARRANGEMENT	REVISION -
GE POWER CREATION DATE (YYYY-MM-DD) 2016-11-04		TITLE <b>BTM FWD HALF DUCT                  GENERAL ARR</b>	
SHEET SIZE E		DRAWING NO. 124T0443	
			SHEET 1 OF 1

Nov 14 2016 11:02 AM EST