

Project

HYDROGEN READY POWER PLANT


Customer

GREENFIELD SOUTH POWER INC.

Applique

GAS TURB. S/N: 299735 / IPS1615904

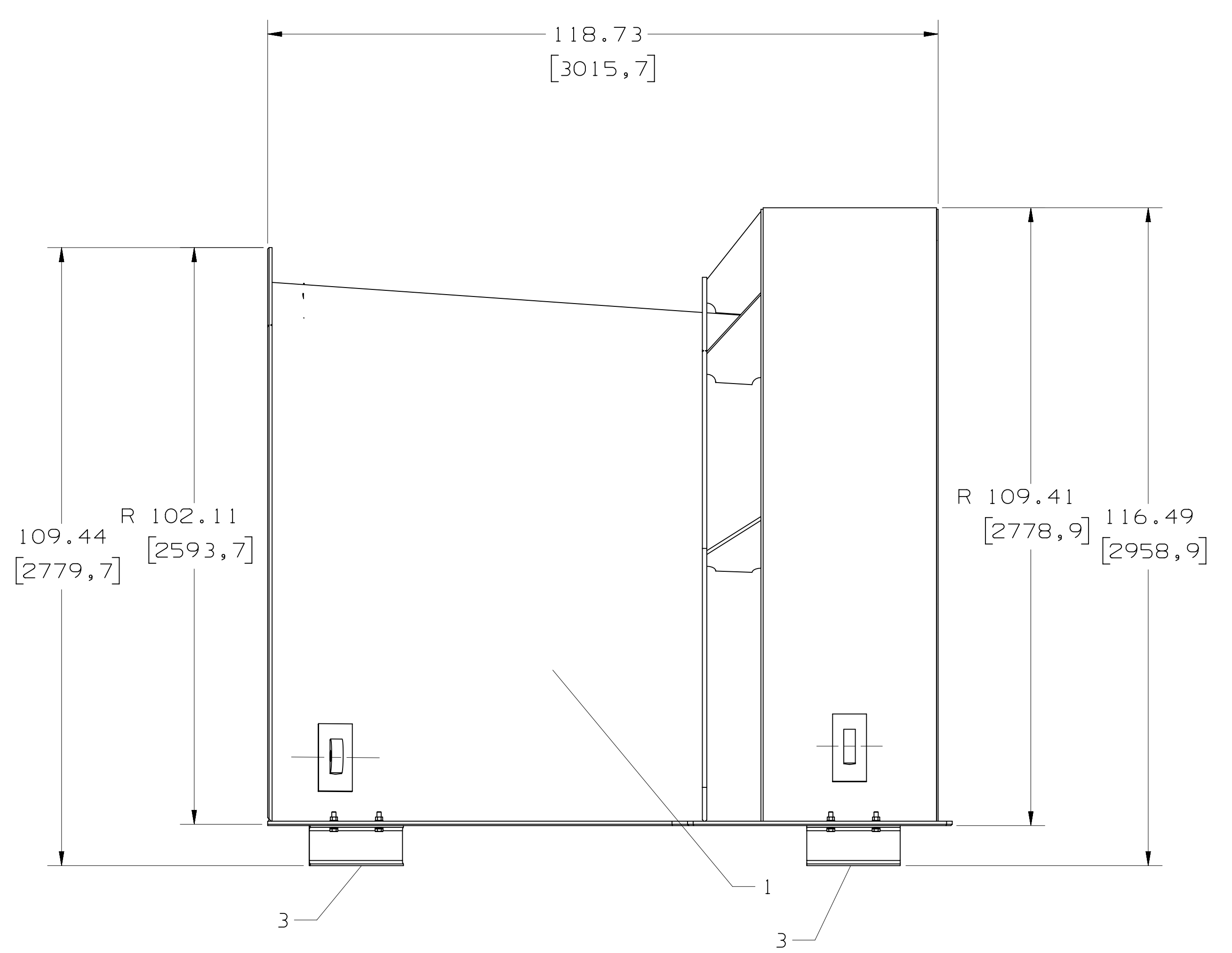
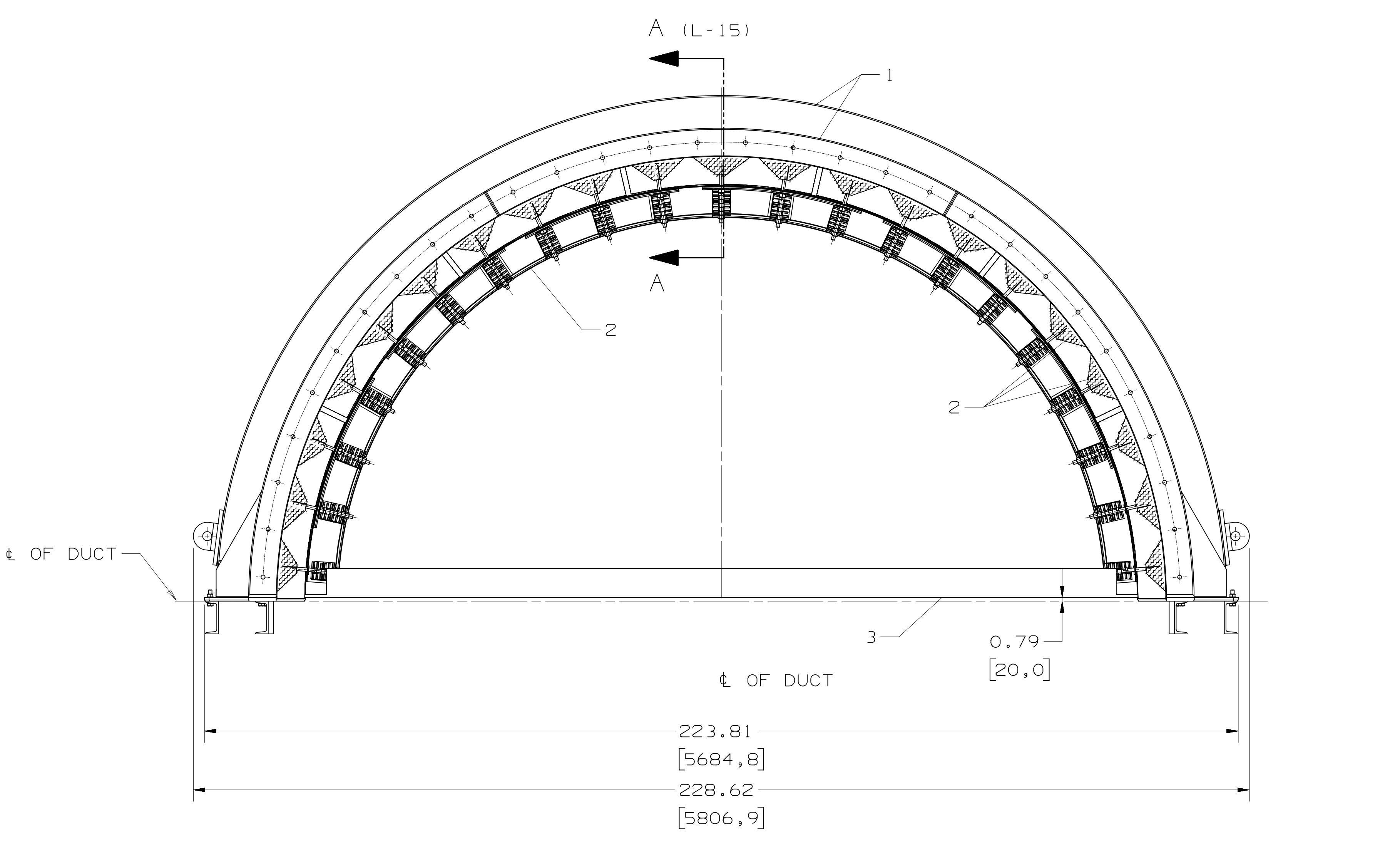
GEN S/N: GG10870 / 761x090

IP Classification		Export Classification	
GE Project Document Number		GE Project Doc Revision	
GE Project Document Description			
GE Project Document Type		Distribution List	
	Remarks 1		
	GE Document Number	GE Document Revision	Disposal Code
	GE Document Title		

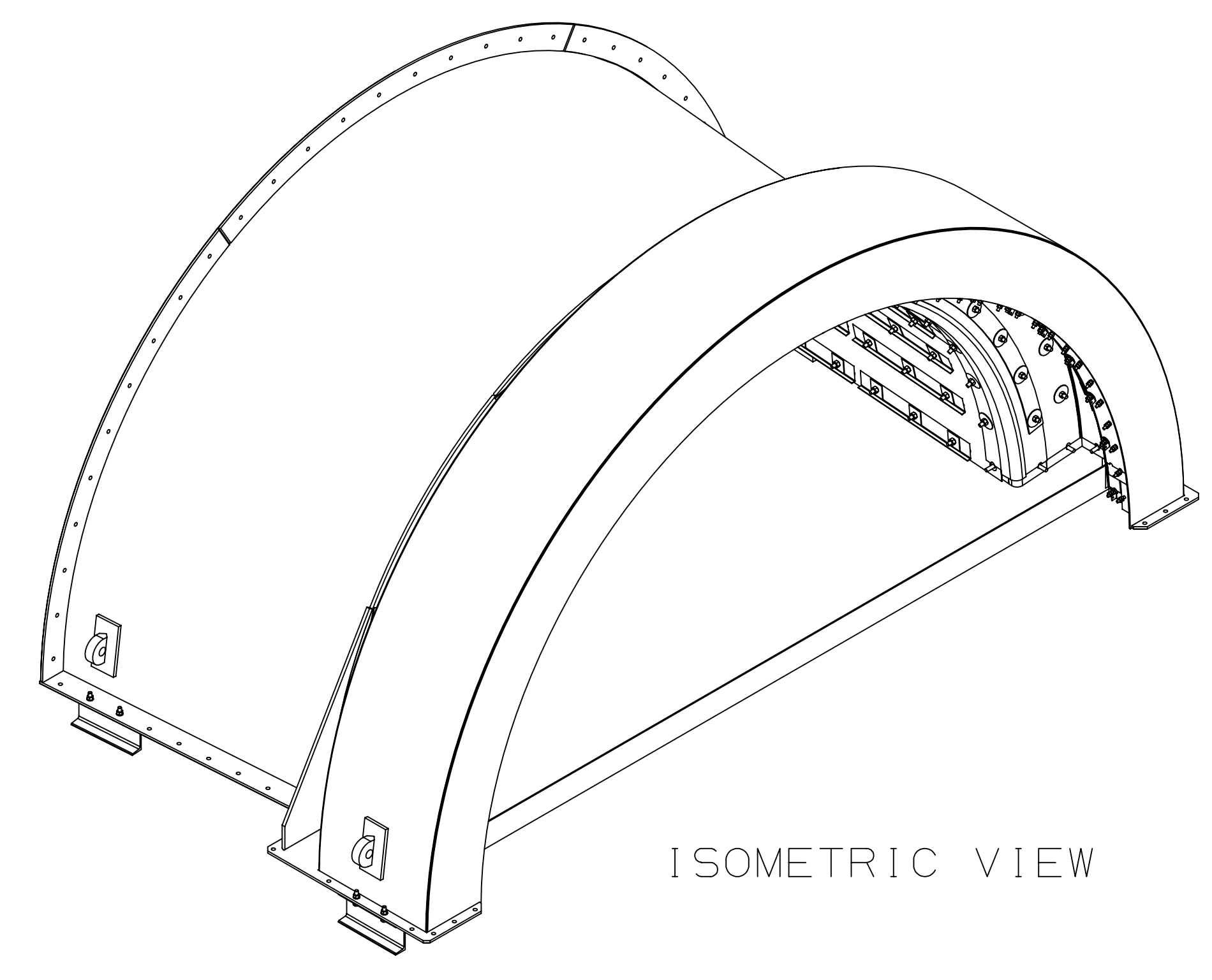
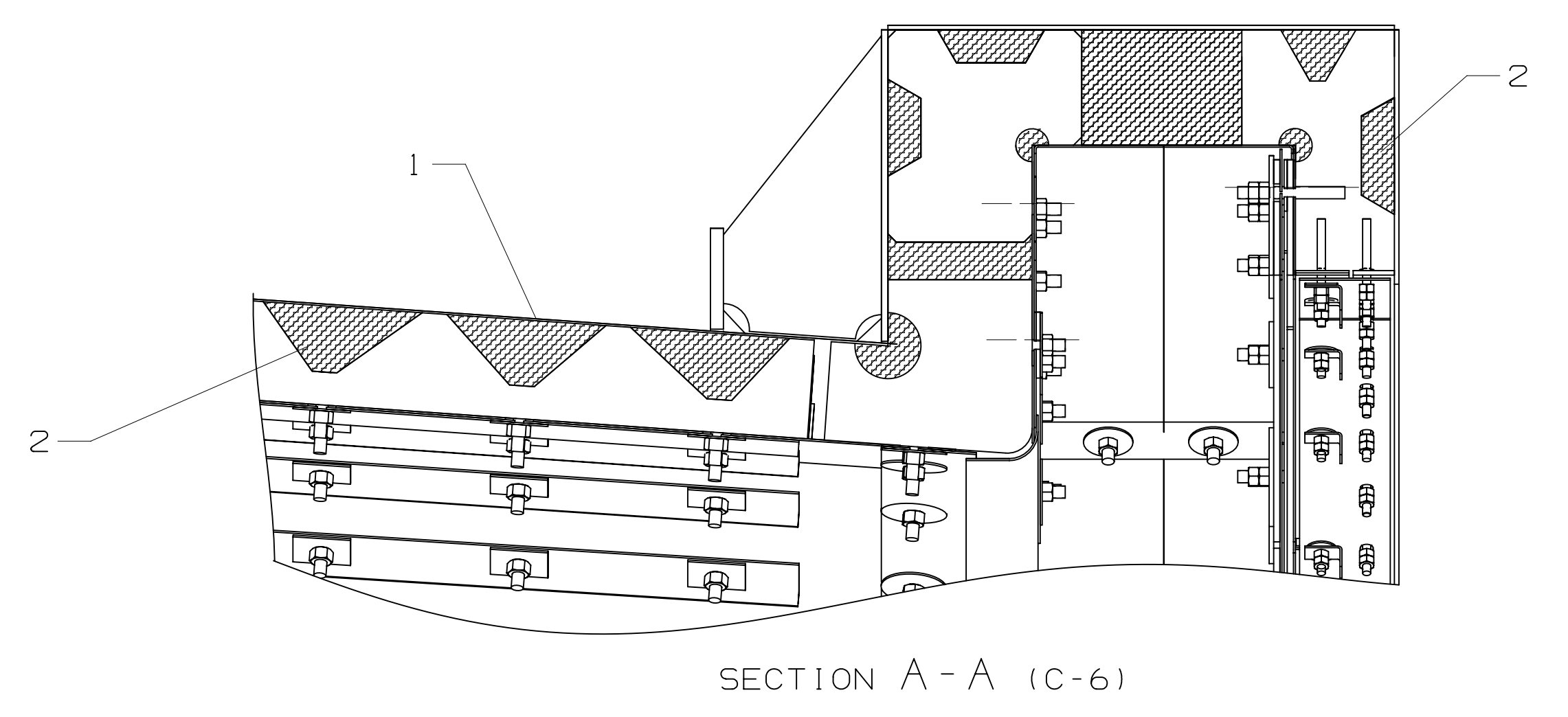
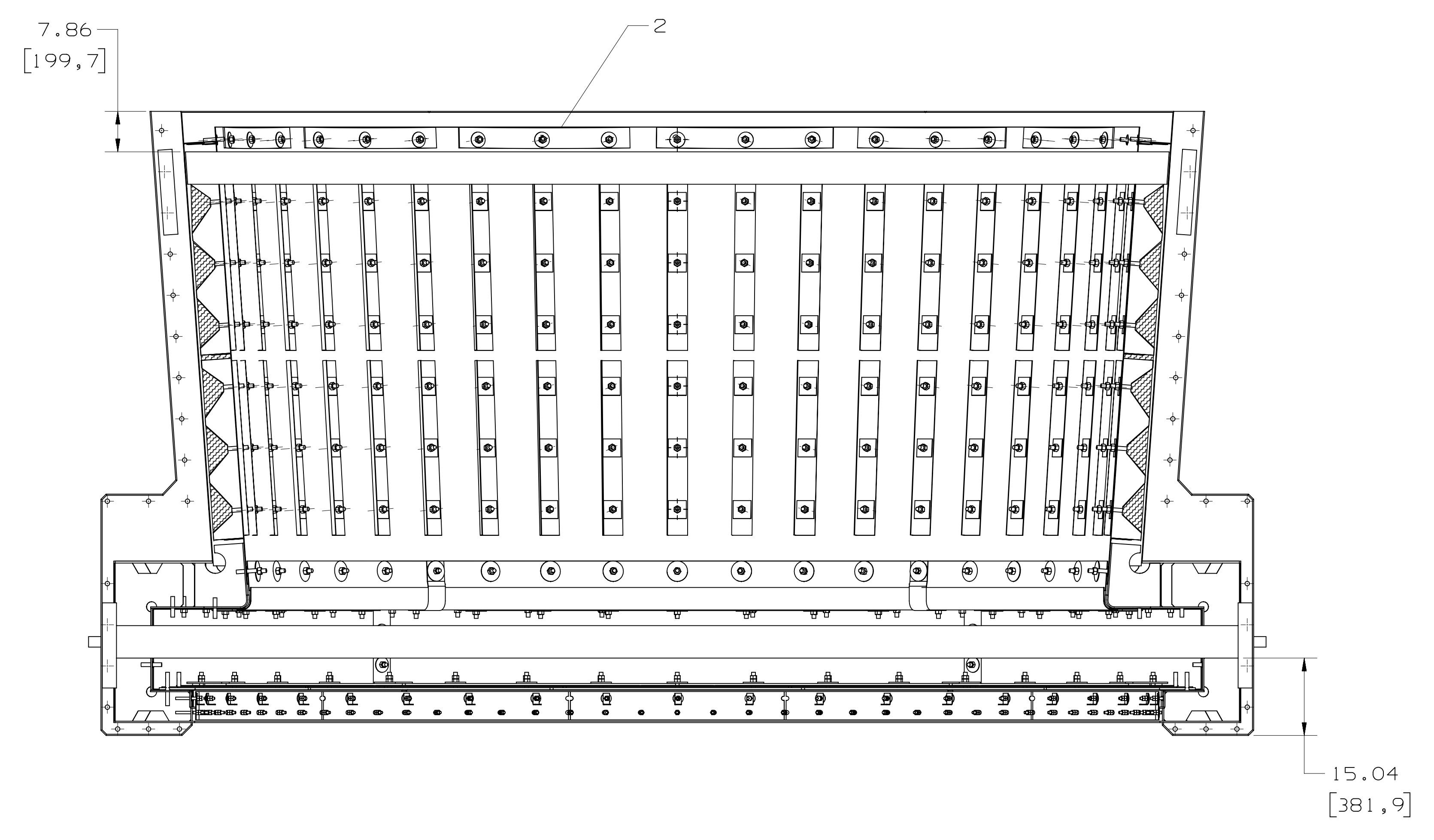
Copyright ©2023 GE Vernova and/or its affiliates
 All rights reserved. The information herein is proprietary information of GE Vernova and/or its affiliates. Thus, it is being provided with the explicit expectation of restricted use. All persons or legal entities receiving this information shall be deemed by the act of its receipt to have contractually agreed to make no duplications, reproductions of any nature by any means, modifications, disclosures, or use any portion of this material; except as is expressly authorized in writing by GE Vernova and/or its affiliates.

REVISION HISTORY			
REV	DESCRIPTION	DATE (YYYY-MM-DD)	APPROVED
-			

NOTES:
 1. ALL DIMENSIONS ARE IN INCHES [MM] UNLESS OTHERWISE SPECIFIED.

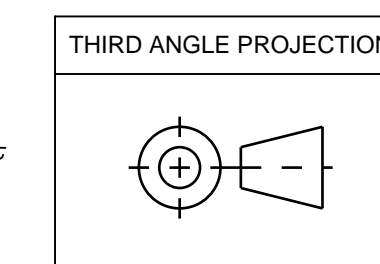


REP	QUANTITY	DESCRIPTION	DRAWING
1	1	STRUCTURE	124T0426
2	1	INTERNAL INSULATION	146E1190
3	1	FRAME FOR SHIPMENT	146E1184



GE CLASS II (INTERNAL NON-CRITICAL)/NOT EXPORT CONTROLLED

© 2016 General Electric Company (USA)
 All rights reserved. The information herein is Proprietary and Technically Exclusive content that is solely owned by General Electric Company and/or its affiliates. This information is being provided with the explicit expectation of restricted and privileged use. All persons or legal entities receiving this information shall be deemed by the act of its receipt to have contractually agreed to make no duplications, reproductions of any nature by any means, modifications, disclosures, or use any portion of this material except as is expressly authorized in writing by General Electric Company and/or its legitimate affiliates.



SIMILAR TO 123E1041	FIRST MADE FOR ML-7K1WFA1-12	IEC41355 No. NONE	MLI No. A042
CREATED BY ROBERT FORREST	APPROVED BY SEE PLM	DOCUMENT TYPE ARRANGEMENT	REVISION -
		TITLE TOP FWD HALF DUCT GENERAL ARR	
CREATION DATE (YYYY-MM-DD) 2016-11-09	SHEET SIZE E	DRAWING NO. 124T0430	SHEET 1 OF 1