

Project

HYDROGEN READY POWER PLANT


Customer

GREENFIELD SOUTH POWER INC.

Applique

GAS TURB. S/N: 299735 / IPS1615904

GEN S/N: GG10870 / 761x090

IP Classification		Export Classification	
GE Project Document Number		GE Project Doc Revision	
GE Project Document Description			
GE Project Document Type		Distribution List	
	Remarks 1		
	GE Document Number	GE Document Revision	Disposal Code
	GE Document Title		

Copyright ©2023 GE Vernova and/or its affiliates
 All rights reserved. The information herein is proprietary information of GE Vernova and/or its affiliates. Thus, it is being provided with the explicit expectation of restricted use. All persons or legal entities receiving this information shall be deemed by the act of its receipt to have contractually agreed to make no duplications, reproductions of any nature by any means, modifications, disclosures, or use any portion of this material; except as is expressly authorized in writing by GE Vernova and/or its affiliates.

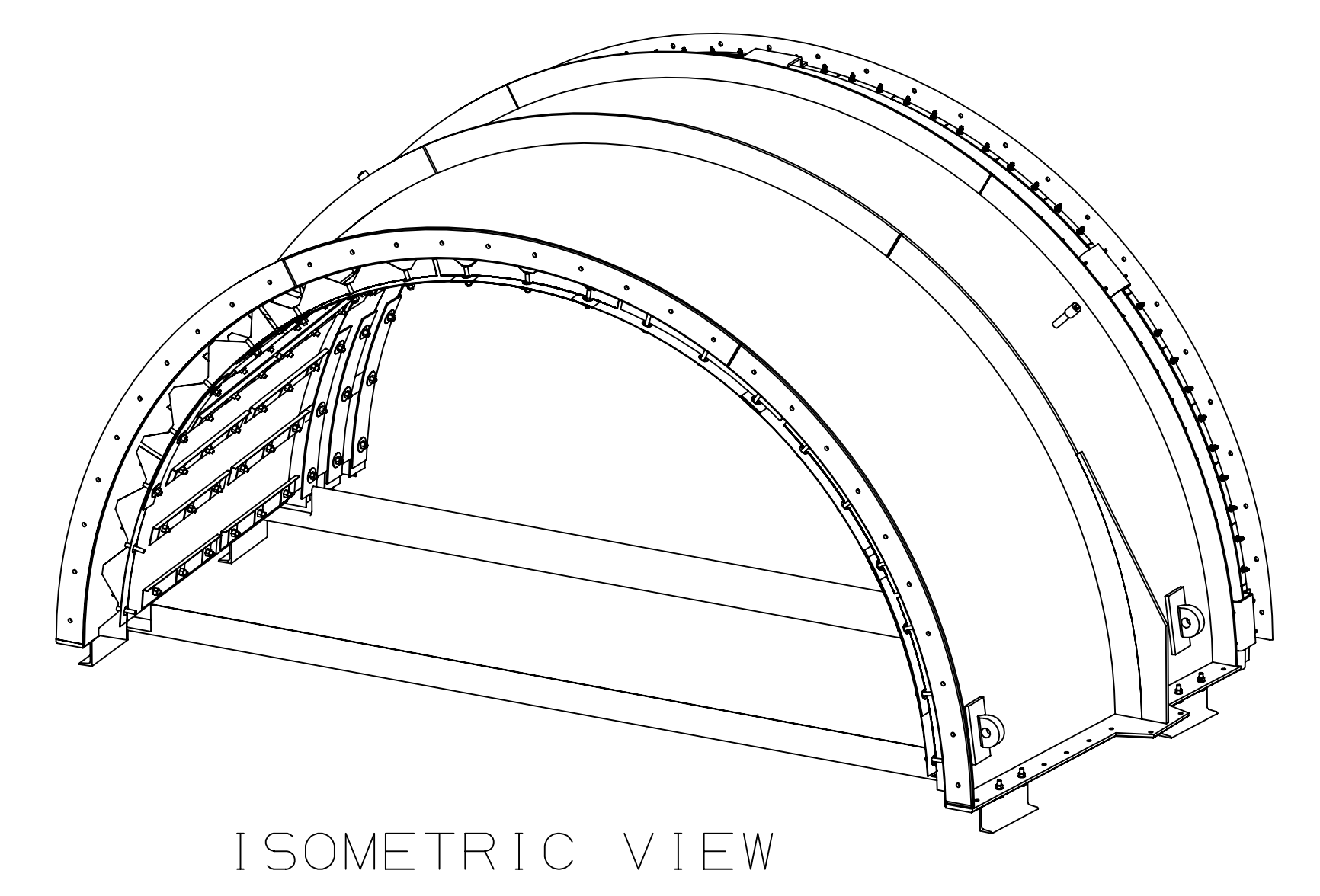
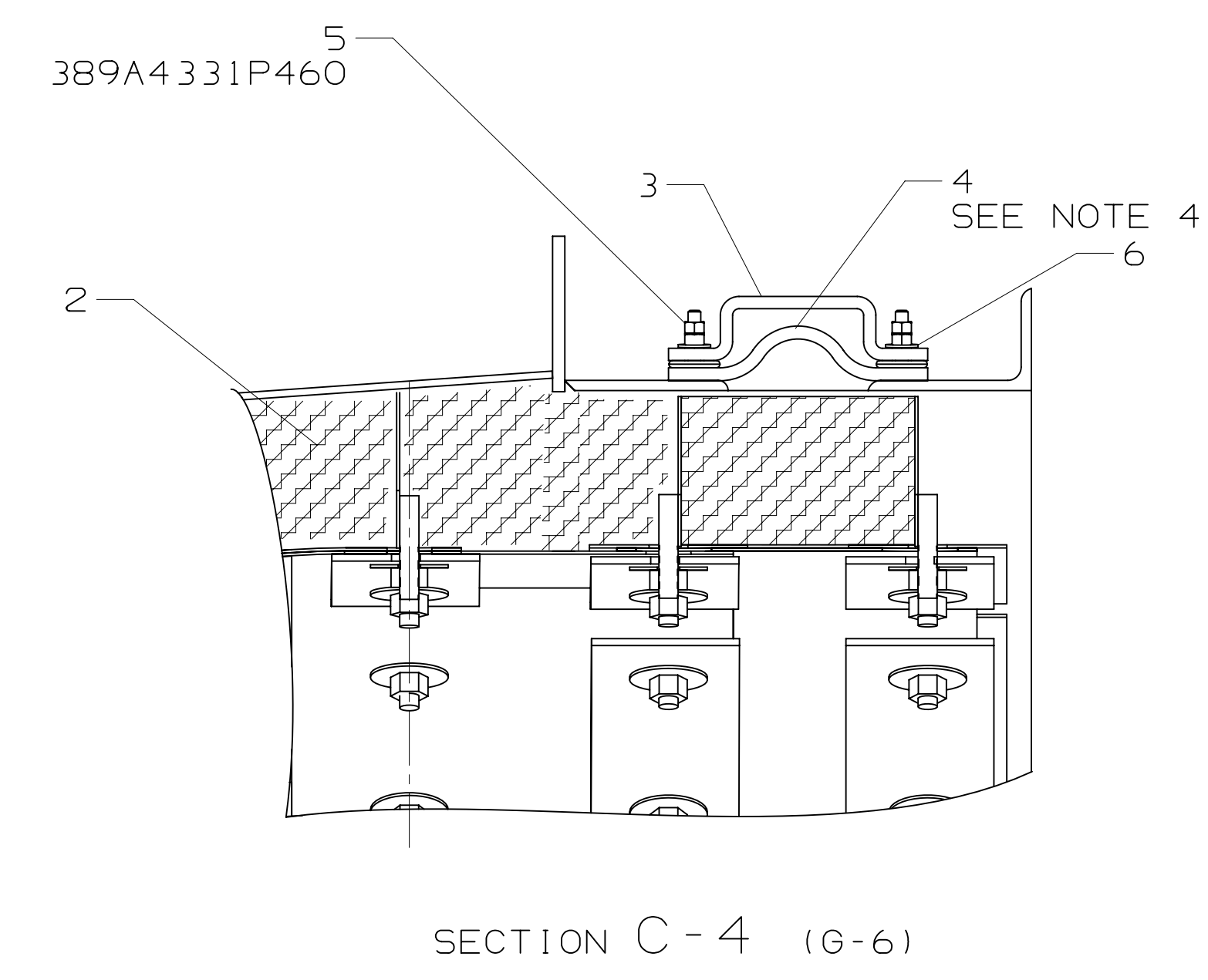
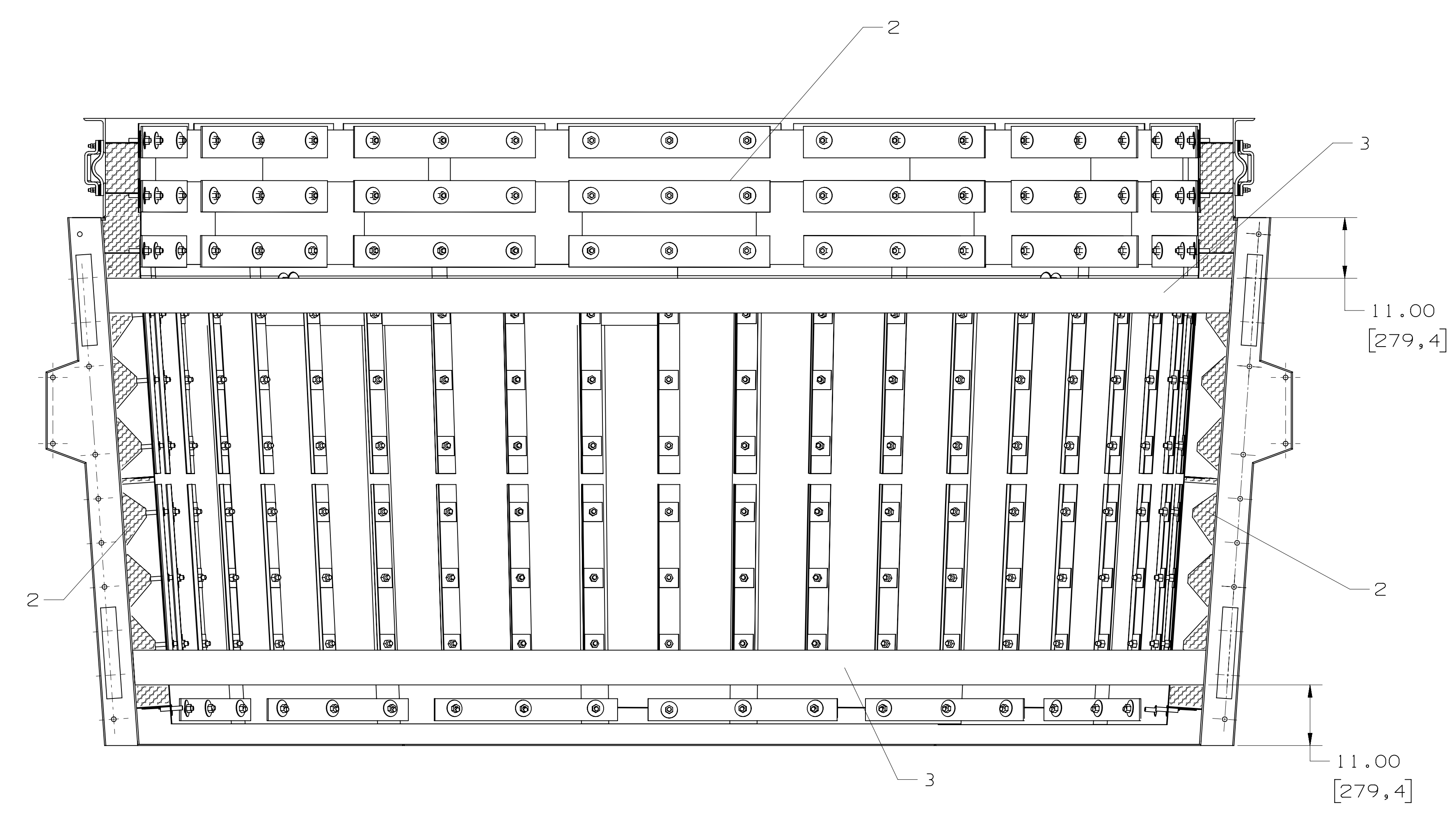
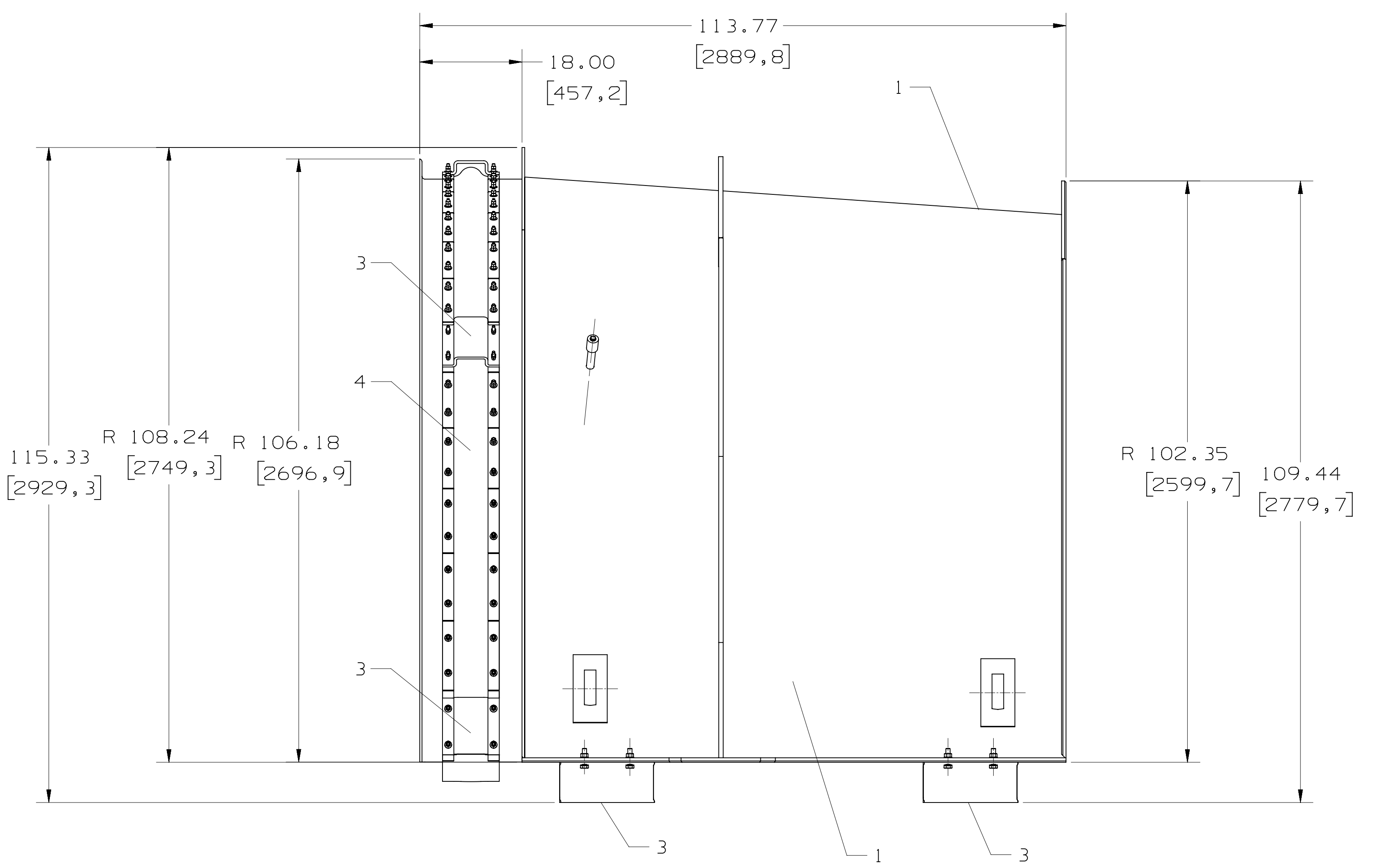
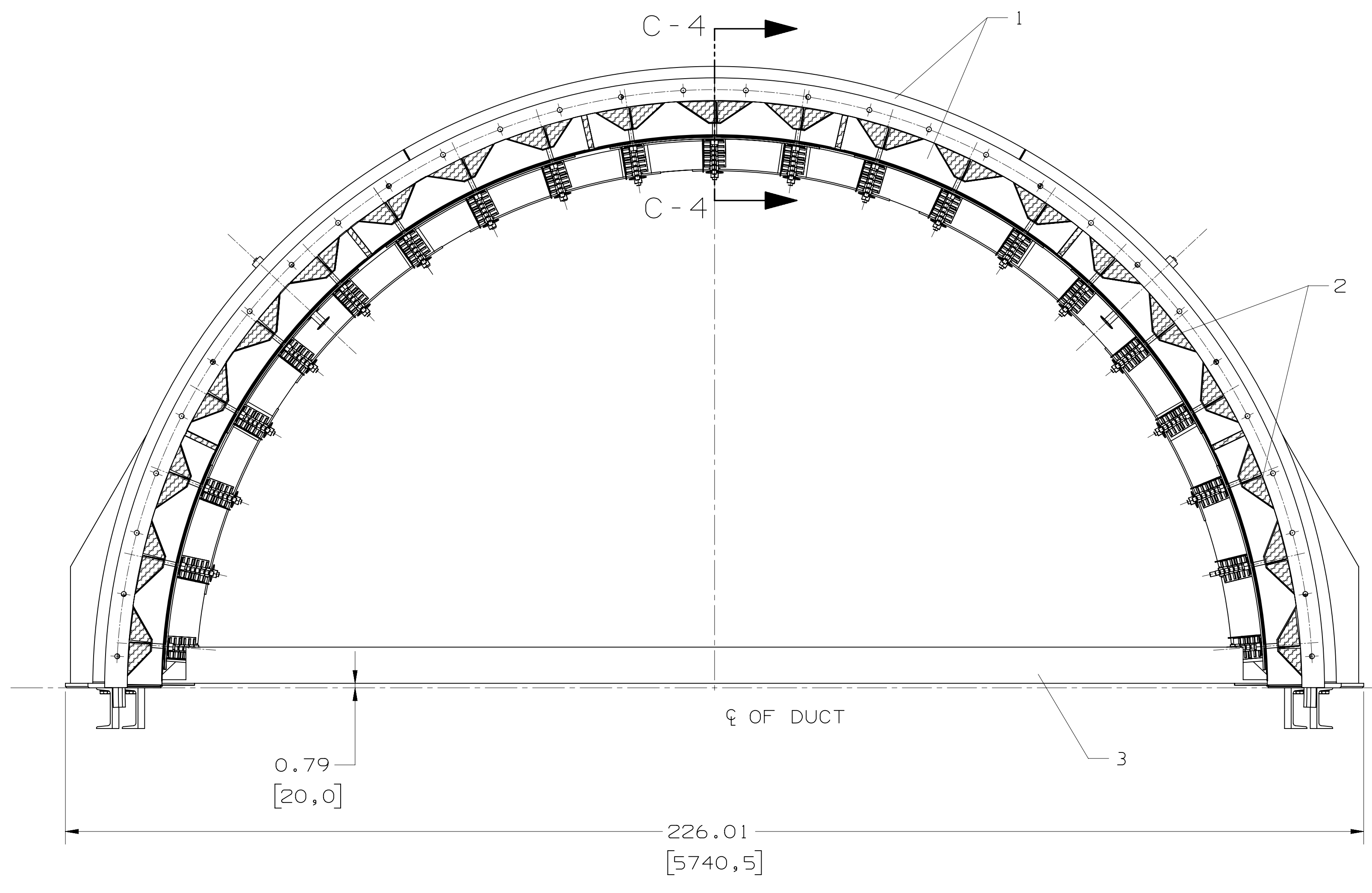
REV	DESCRIPTION	DATE	APPROVED
(1)	REVISED AS SHOWN DCI-10022489 ECO-0012586 AN-10024843	10-11-01	SEE PLM

THIS DOCUMENT SHALL BE REVISED IN ITS ENTIRETY. ALL SHEETS OF THIS DOCUMENT ARE THE SAME REVISION LEVEL AS INDICATED.

REVISE ON CAD ONLY
UG PART: 123E1044G001
(SPEC: 123E1044)

REP	QTY (SEE NOTE 1)	DESCRIPTION (INCH (MM))	DRAWING
1	1	STRUCTURE	123E1059
2	1	INTERNAL INSULATION	146E1186
3	1	FRAME FOR SHIPMENT	146E1033
4	1	EXPANSION JOINT BELT	146E1555
5	208	M12 NUT HEIGHT .48 (12.2)	ASTM A194M GRADE 8
6	104	M12 WASHER THICKNESS .10 (2.5)	ASTM F436 TYPE1

- NOTES:
- FOR INFORMATION ONLY. QUANTITIES SHALL BE CALCULATED BY THE SUPPLIER.
 - ALL DIMENSIONS ARE IN INCHES (MM) UNLESS OTHERWISE SPECIFIED.
 - REP 6 SHALL BE HOT DIP GALVANIZED AS PER ASTM A153, CLASS C.
 - EXPANSION BELT AND EXPANSION BELT SHIPPING BRACES SHALL BE INSTALLED AT THE BEGINNING OF THE INSULATION INSTALLATION.



1	GENERAL APPLIED PRACTICE	389A4331P460
1T	NOMENCLATURE IDENT	

LIST OF COMPLEMENTARY DOCUMENTS

UNLESS OTHERWISE SPECIFIED	SIGNATURES	DATE	 GE Power Generation <small>GENERAL ELECTRIC COMPANY GAS TURBINE Greenville, SC</small>
DIMENSIONS ARE IN INCHES	DRAWN LU LAIDI	09-10-09	
TOLERANCES UNLESS OTHERWISE SPECIFIED	CHECKED WUSONG JIANG	09-10-09	7FA DIFFUSER TOP AFT HALF ARRANGEMENT FIRST MADE FOR ML-7K1WFA1-12 A042 SIZE: CASE CODE: 123E1044 SCALE: NONE SHEET: 1
2 PL. DECIMALS ±	ENGRD WUSONG JIANG	09-10-09	
3 PL. DECIMALS ±	ISSUED CHENYAN YANG	09-11-03	
ANGLES ±			
FRACTIONS ±			
APPLIED PRACTICES 348A9200			

© COPYRIGHT 2009 GENERAL ELECTRIC COMPANY
 PROPRIETARY INFORMATION-THIS DOCUMENT CONTAINS PROPRIETARY INFORMATION OF GENERAL ELECTRIC COMPANY AND MAY NOT BE USED OR DISCLOSED TO OTHERS, EXCEPT WITH THE WRITTEN PERMISSION OF GENERAL ELECTRIC COMPANY.

